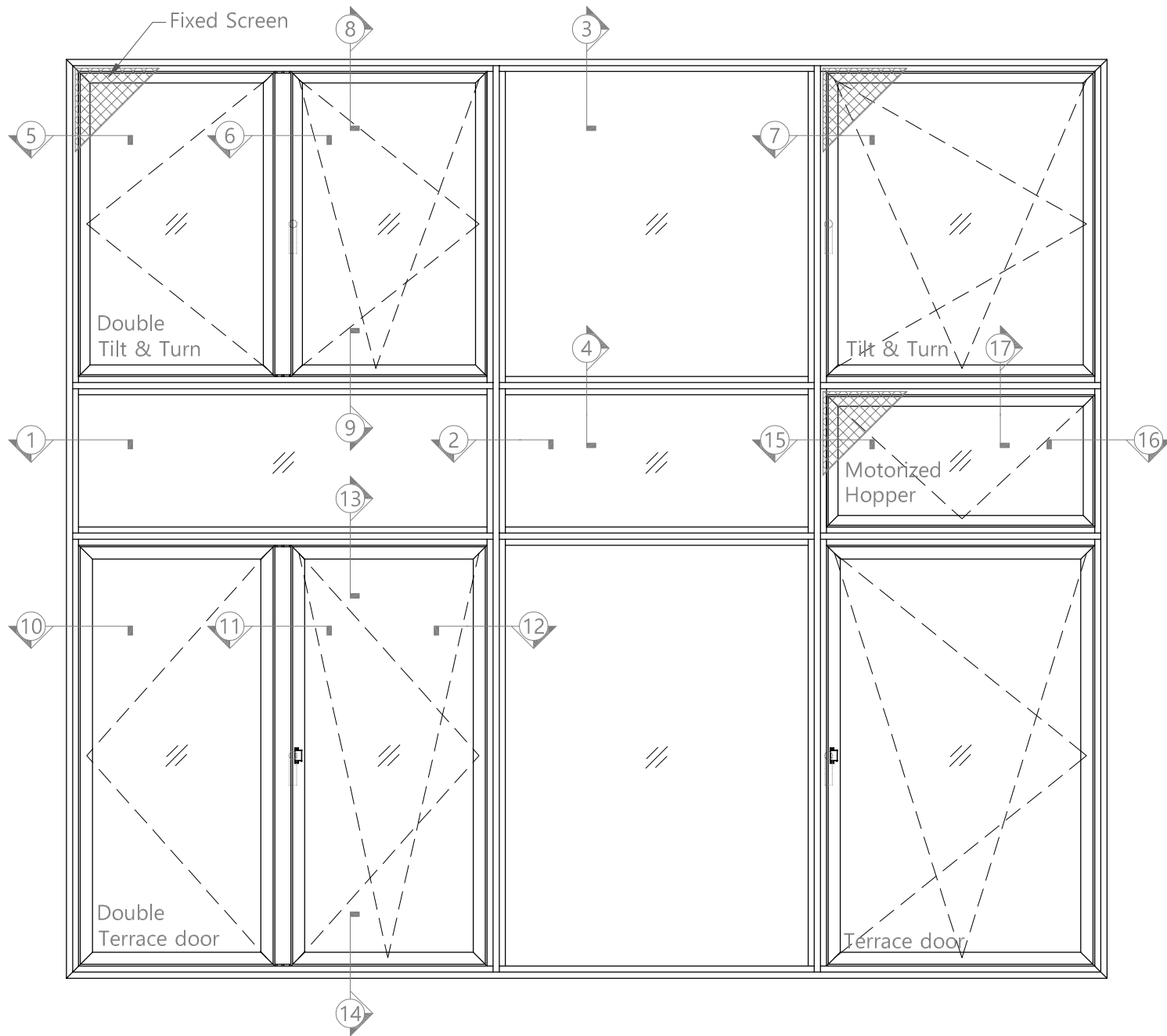
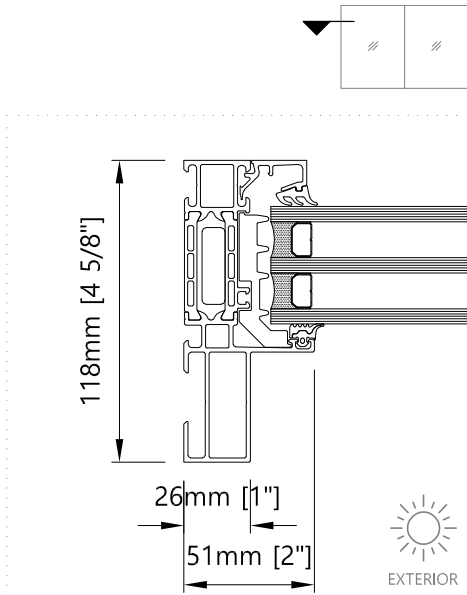
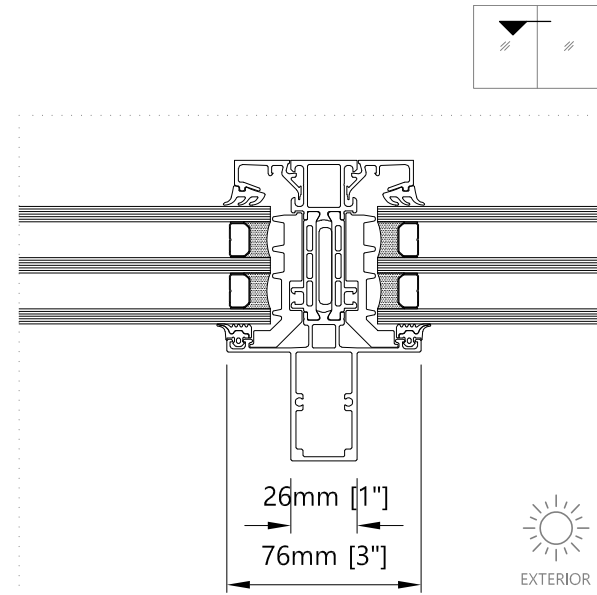


The Schüco AWS 75.SI+118 thermally insulated window system with basic depth of 118mm (4 5/8") sets a new thermal insulation standard for aluminum windows without compromising comfort, design and functionality. The narrow profile face widths ensure maximum transparency which guarantees that your living and work space is bright and flooded with light. Also available in basic depth of 75mm.

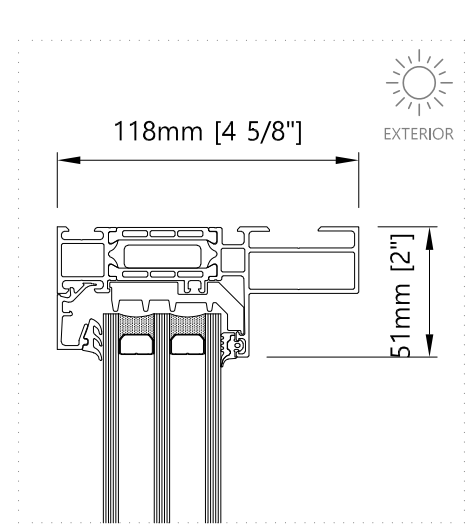




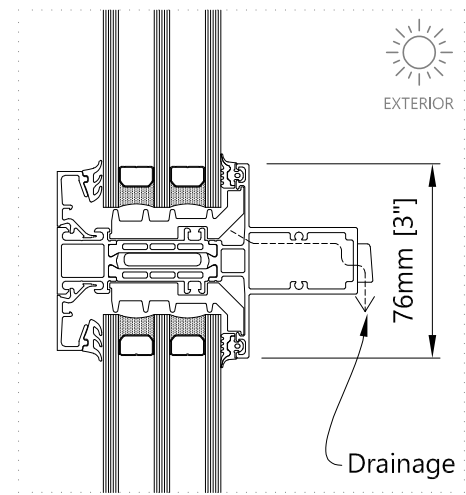
1 Jamb - Horizontal
Fixed Window



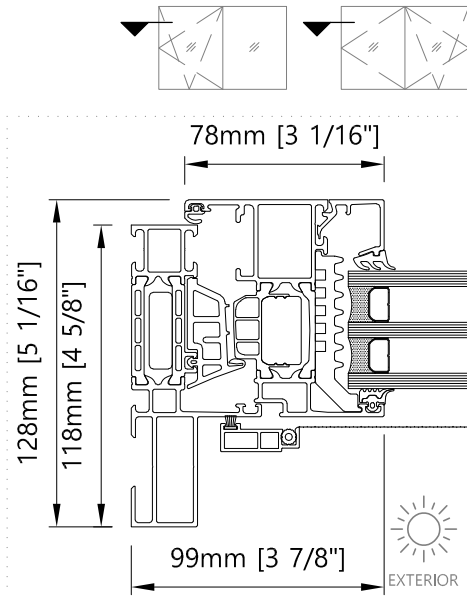
2 Mullion - Horizontal
Fixed Window



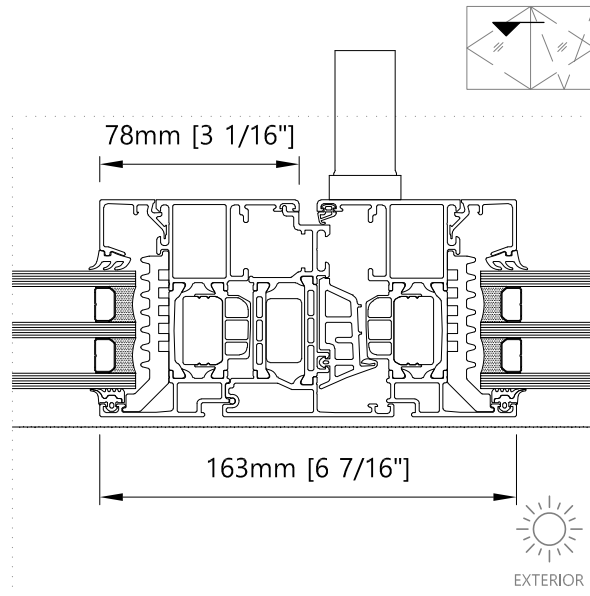
3 Top - Vertical
Fixed Window



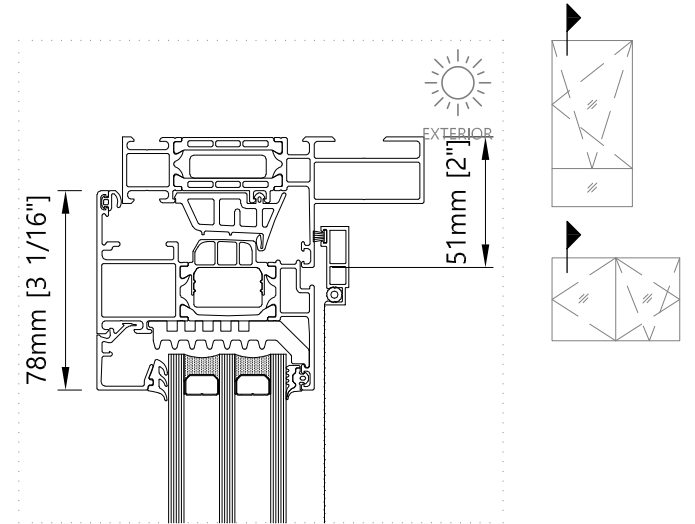
4 Transom - Vertical
Fixed Window



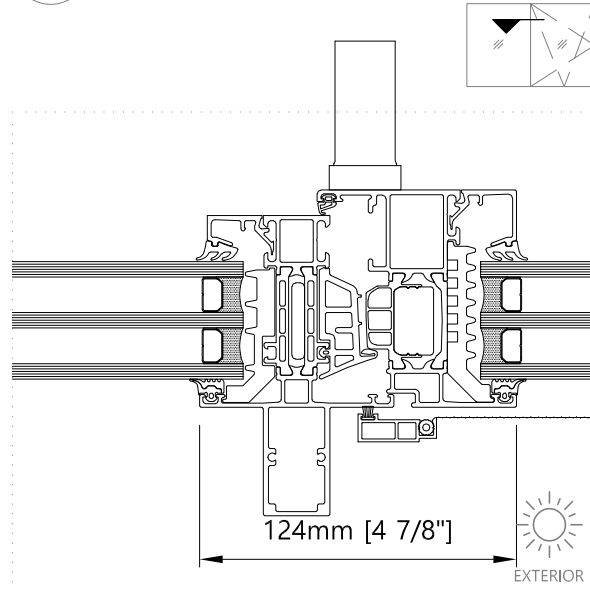
5 Jamb - Horizontal
T&T Window / Double T&T



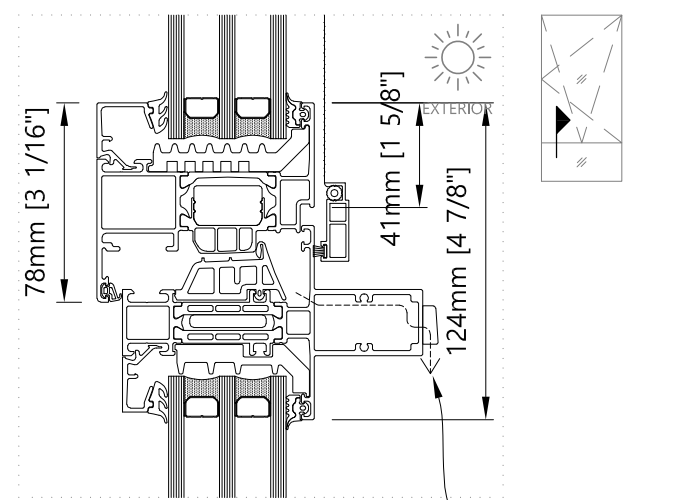
6 Meeting section - Horizontal
Double T&T



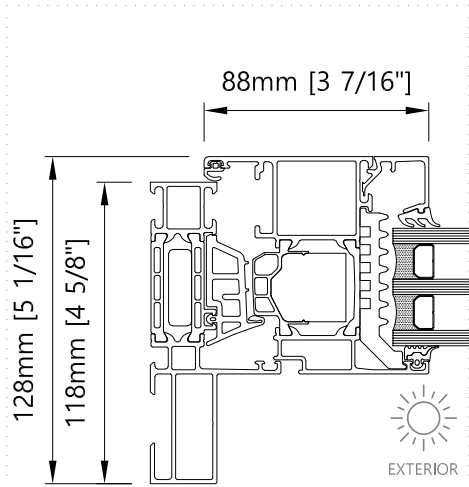
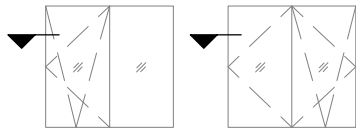
8 Top - Vertical
T&T Window / Double T&T



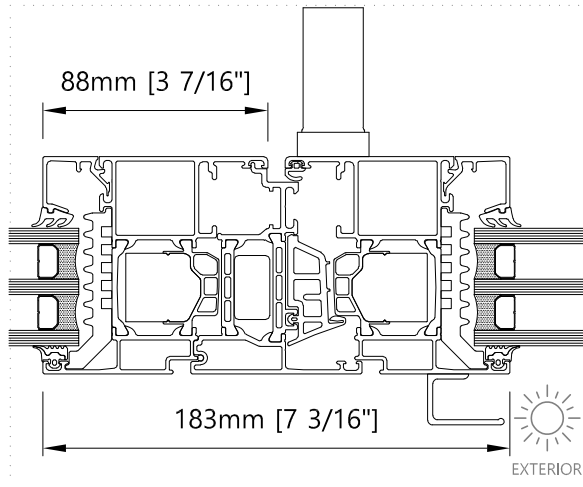
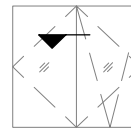
7 Mullion - Horizontal
T&T Window



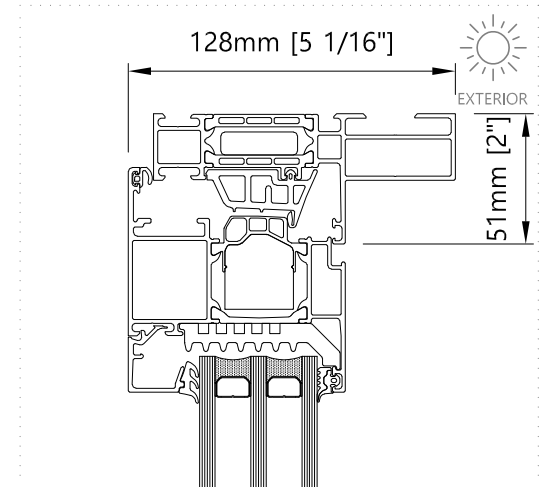
9 Transom - Vertical
T&T Window



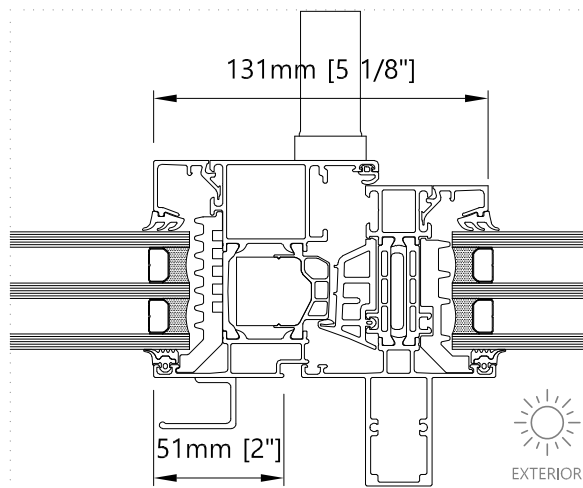
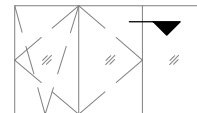
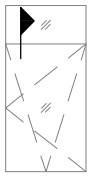
10 Jamb - Horizontal
Terrace door / Double terrace door



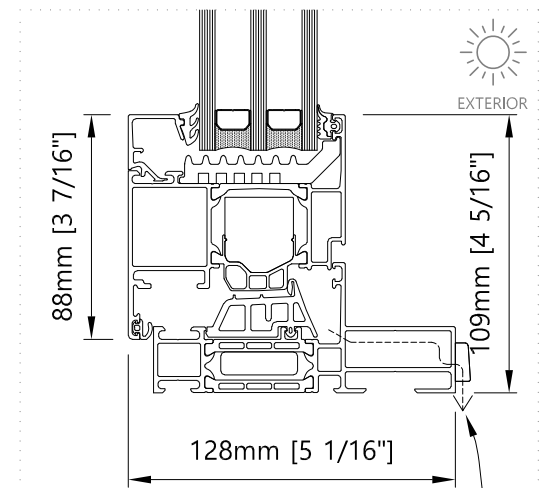
11 Meeting section - Horizontal
Double terrace door



13 Top - Vertical
Terrace door

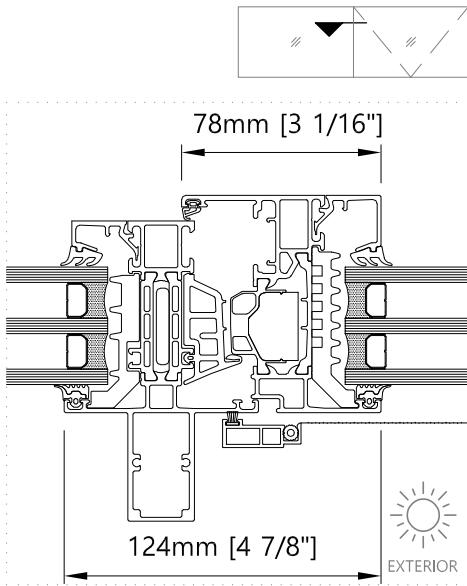


12 Mullion - Horizontal
Terrace door

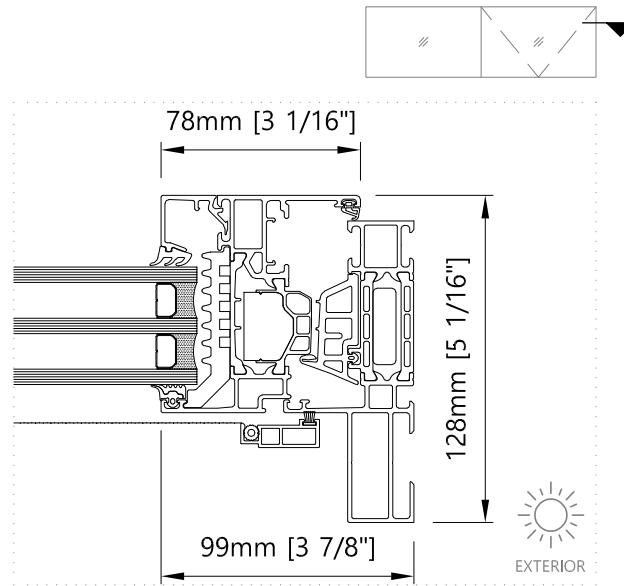


14 Bottom - Vertical
Terrace door / Double terrace door

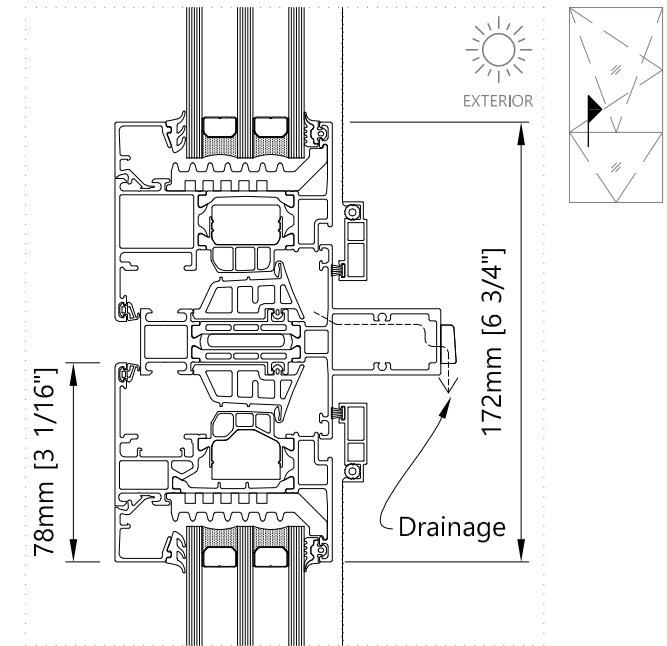




15 Mullion - Horizontal
Motorized hopper window



16 Jamb - Horizontal
Motorized hopper window



17 Transom - Vertical
Motorized hopper window