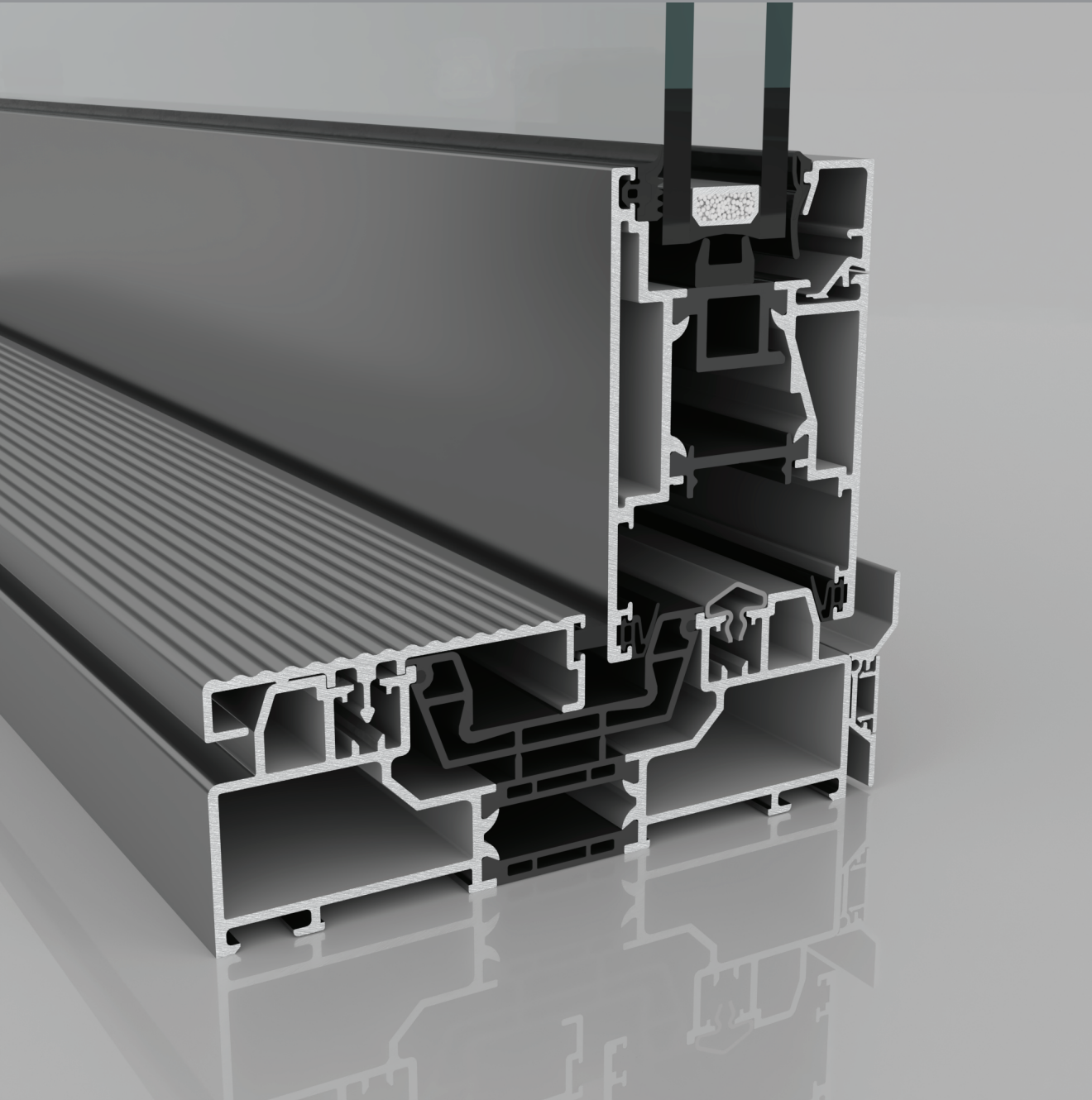


ASE 60

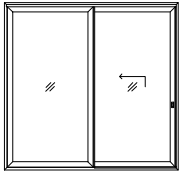


If plenty of light and an impressive appearance are important to you, this system is ideally suited for large opening widths with large-scale glass constructions. Thermally insulated aluminum lift-and-slide system ASE 60 with its perfect water tightness, excellent sound reduction and burglar resistance is second to none. In addition, enjoy the benefits of a new soft-line style that lends a smooth and elegant appearance. You can also choose an appropriate fly screen as a sliding unit. This fits seamlessly into the overall appearance.

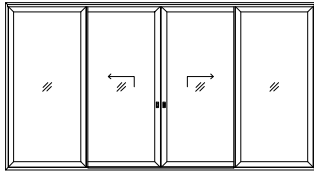
ASE 60

STANDARD

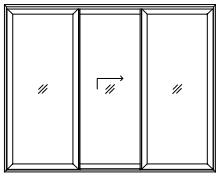
OX (1,2)



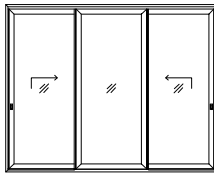
OXXO (1,2)



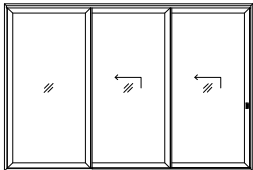
XOX (1,2)



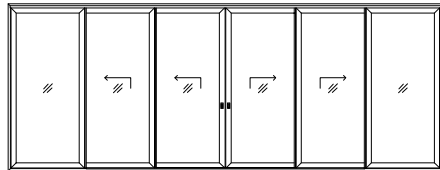
OXO (1,2)



XXO (1,2)

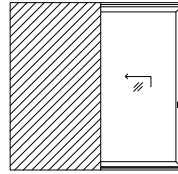


OXXXXO (1,2)

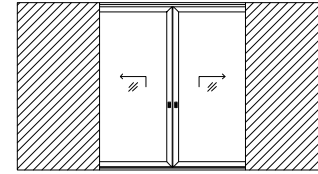


POCKET

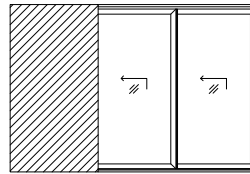
PX (2)



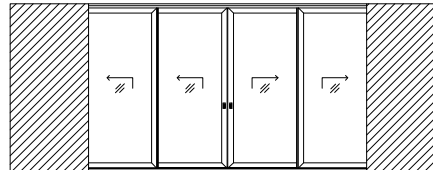
PXXP (2)



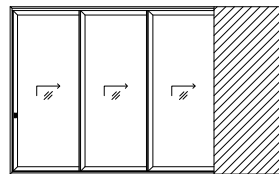
PXX (2)



PXXXXP (2)

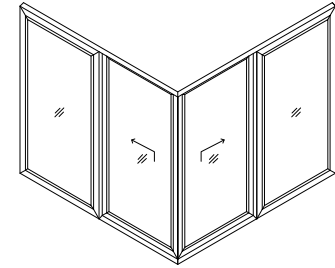


XXXXP (2)

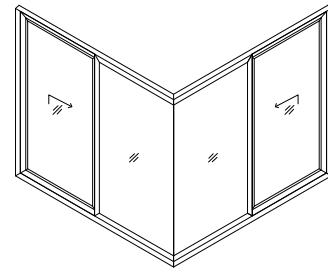


CORNER

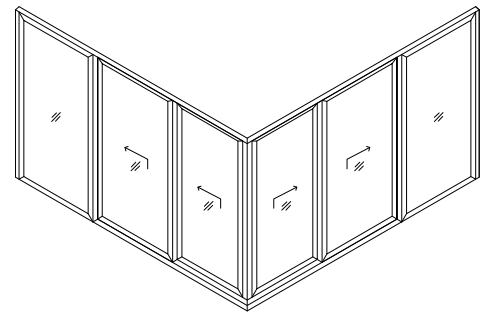
OX|XO (1,2)



XO|OX (1,2)



OXX|XXO (1,2)



* possible only with double glass
 (1) with fly screen
 (2) without fly screen

ASE 60 Lift & Slide Door Typologies

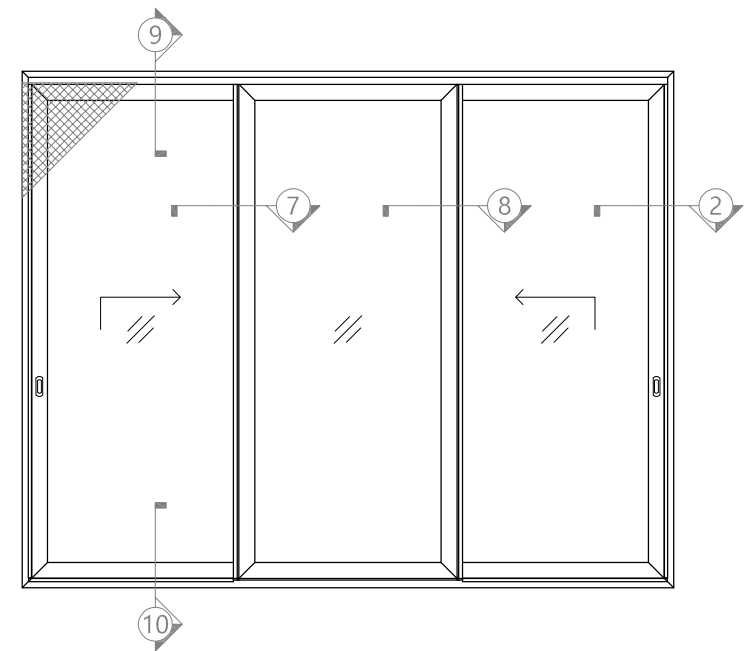
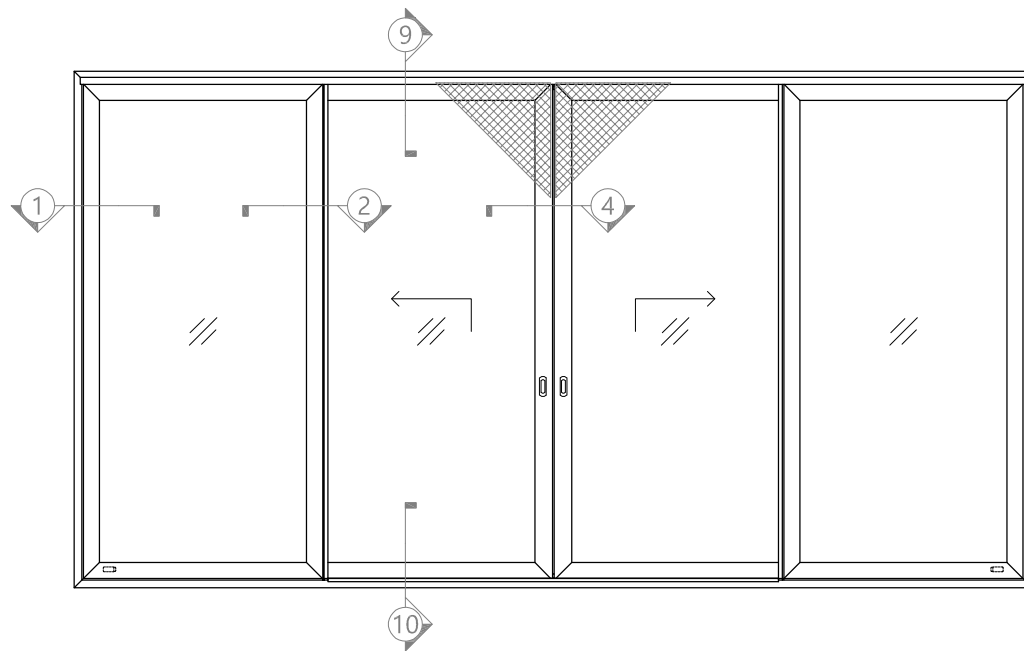
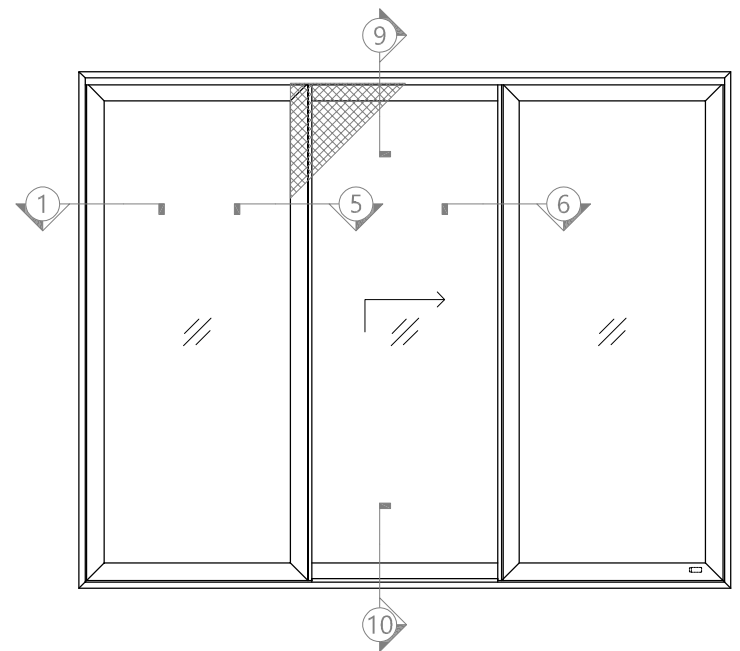
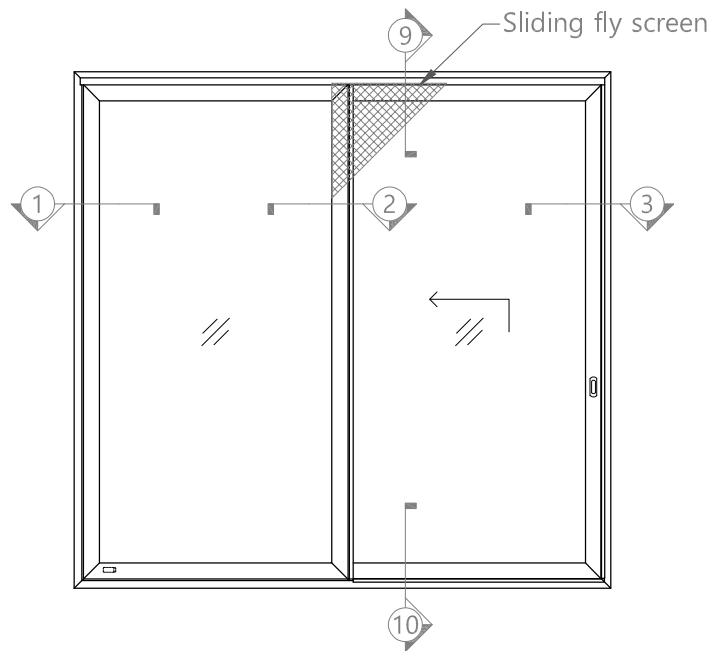
Elevation - Exterior View

W0

V1

1677 Aimco Blvd., Unit A,
 Mississauga, ON, L4W 1H7
 905-602-5887
 www.bigfootdoor.com

bigfoot | door



ASE 60 Lift & Slide Door (Standard 2-track)

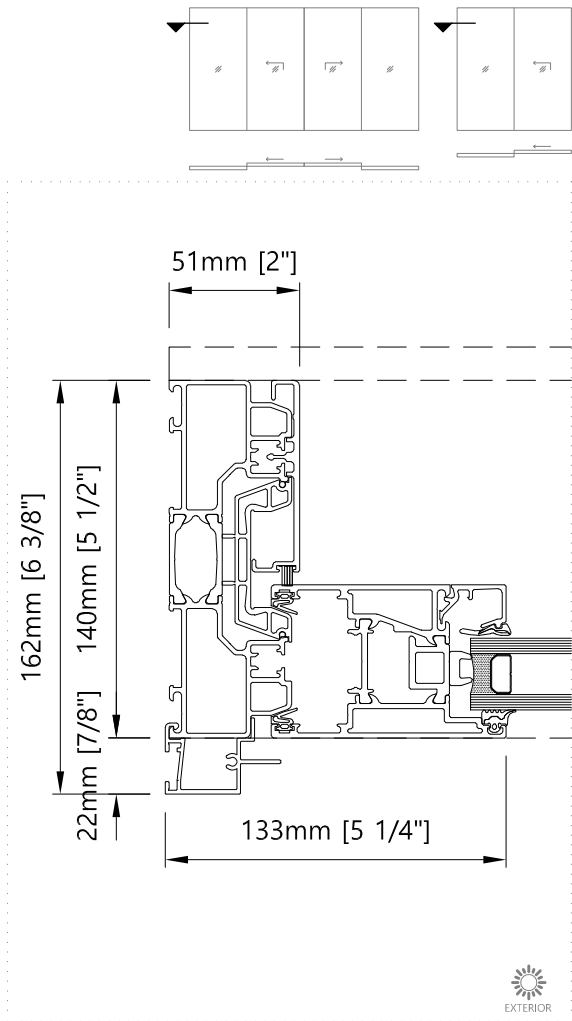
Elevation - Exterior View

W1

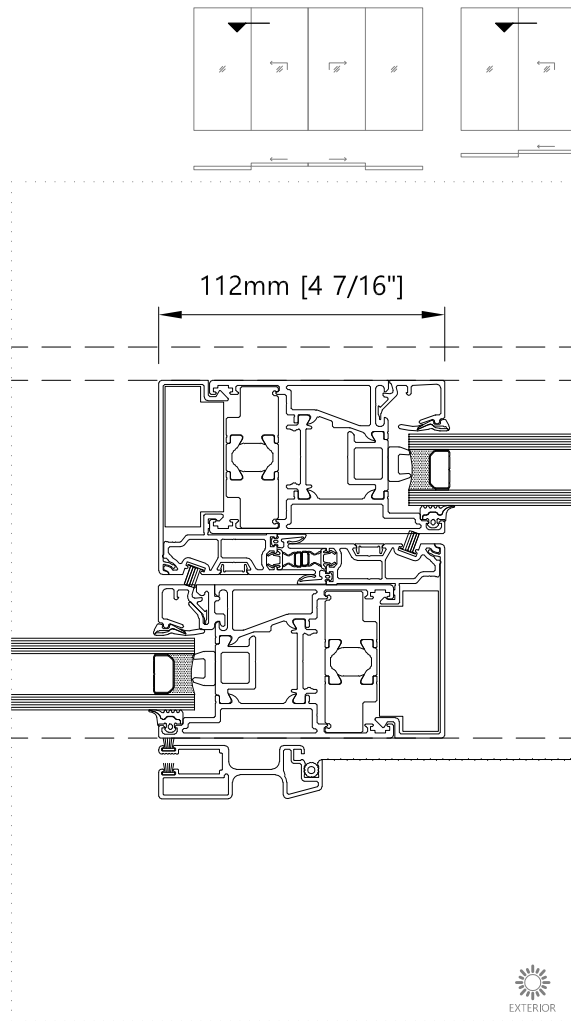
V1

1677 Aimco Blvd., Unit A,
Mississauga, ON, L4W 1H7
905-602-5887
www.bigfootdoor.com

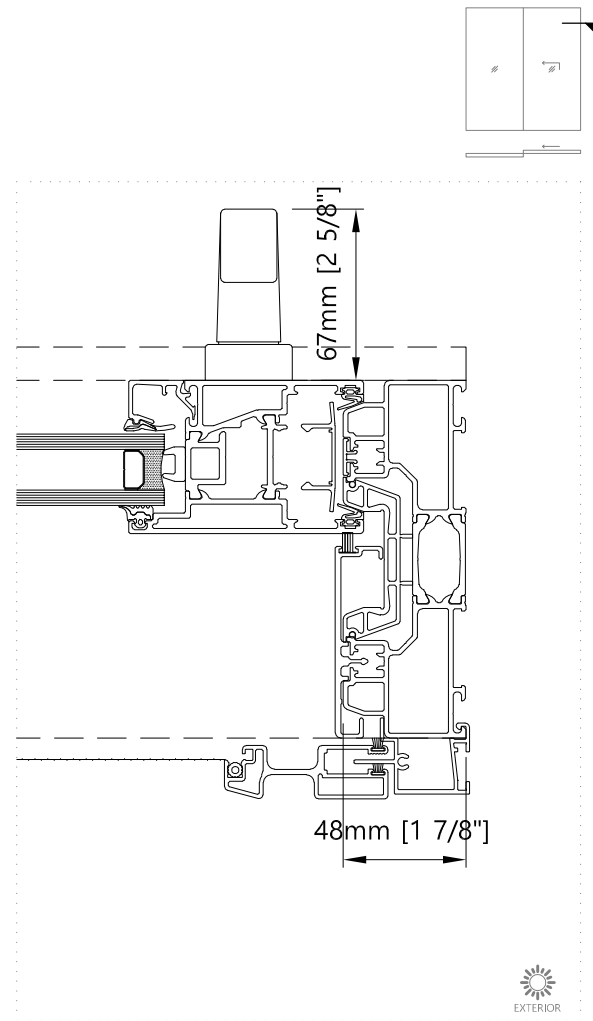
bigfoot | door



1 Jamb - Horizontal
Two Panel Lift & Slide Door with Fly Screen



2 Meeting section - Horizontal
Two Panel Lift & Slide Door with Fly Screen



3 Jamb - Horizontal
Two Panel Lift & Slide Door with Fly Screen

ASE 60 Lift & Slide Door (Standard 2-track)

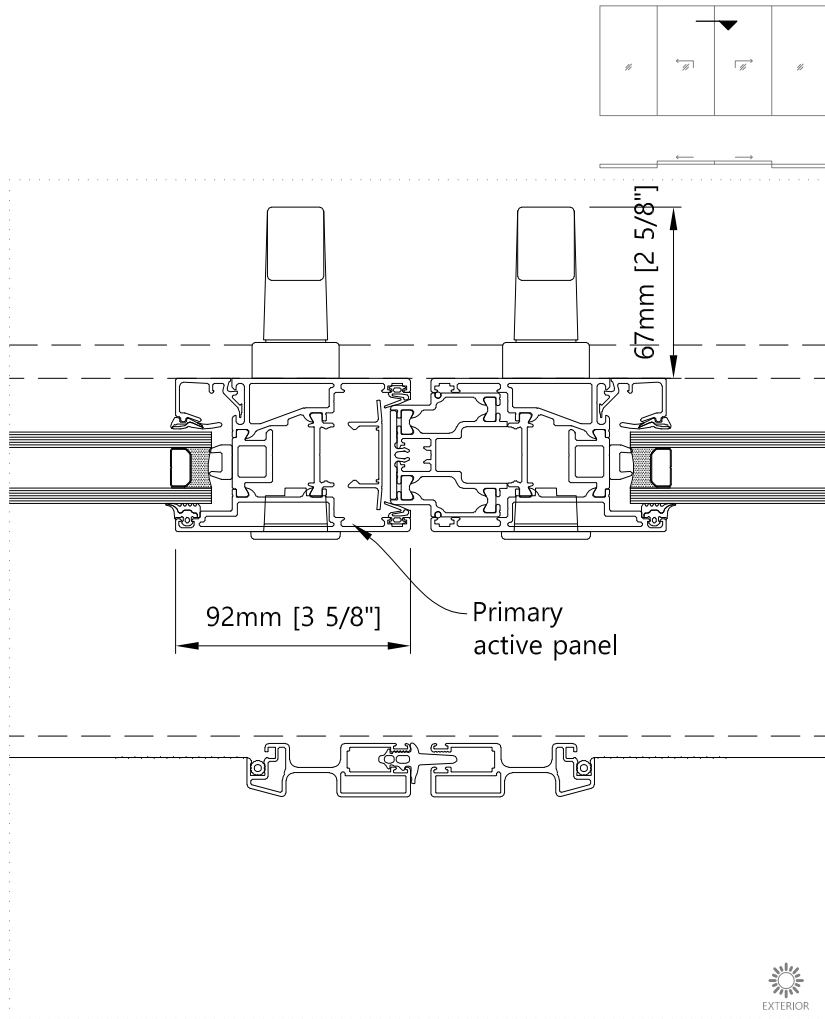
Horizontal Details

W1.1

V1

1677 Aimco Blvd., Unit A,
Mississauga, ON, L4W 1H7
905-602-5887
www.bigfootdoor.com

bigfoot | door



4 Meeting section - Horizontal
Four Panel Bi-parting Lift & Slide Door with Fly Screen

ASE 60 Lift & Slide Door (Standard 2-track)

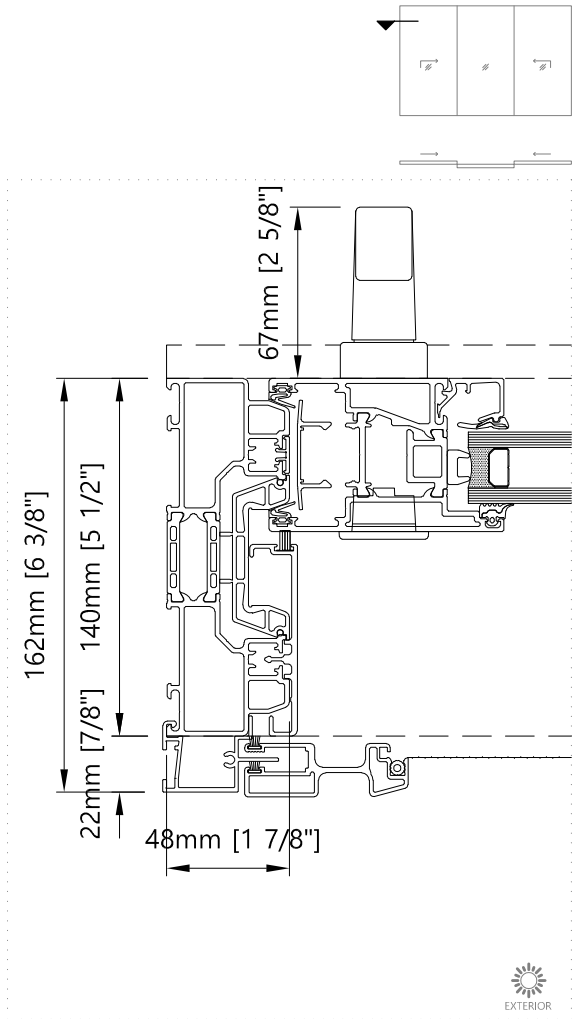
Horizontal Details

W1.2

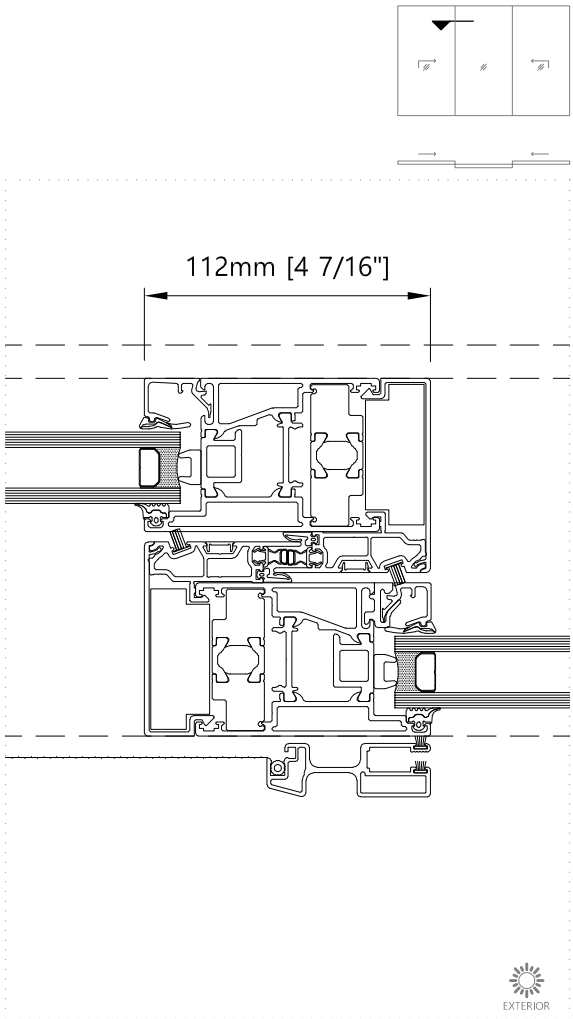
V1

1677 Aimco Blvd., Unit A,
Mississauga, ON, L4W 1H7
905-602-5887
www.bigfootdoor.com

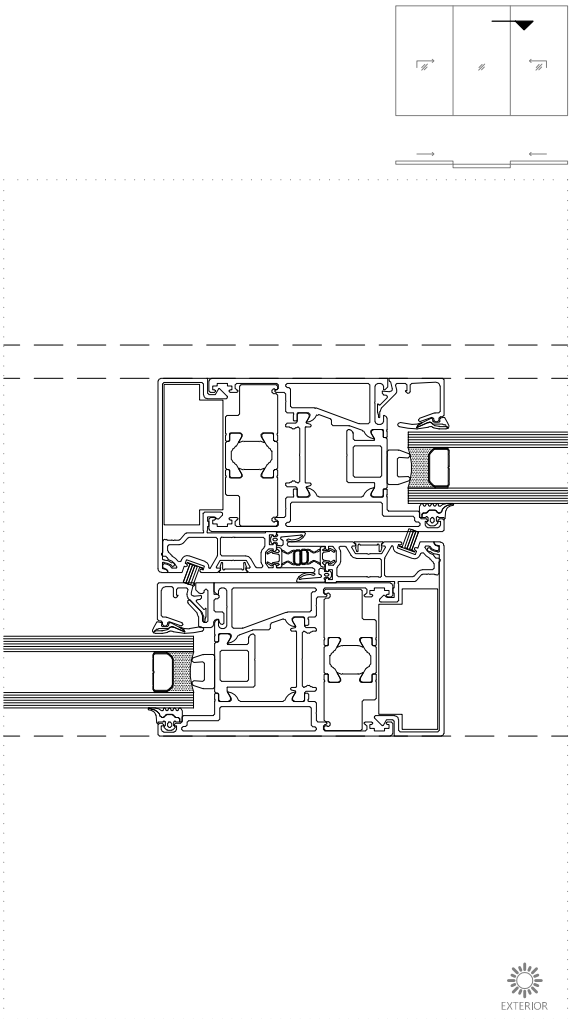
bigfoot | door



5 Jamb - Horizontal
Three Panel Lift & Slide Door with Fly Screen



6 Meeting section - Horizontal
Three Panel Lift & Slide Door with Fly Screen



7 Meeting section - Horizontal
Three Panel Lift & Slide Door with Fly Screen

ASE 60 Lift & Slide Door (Standard 2-track)

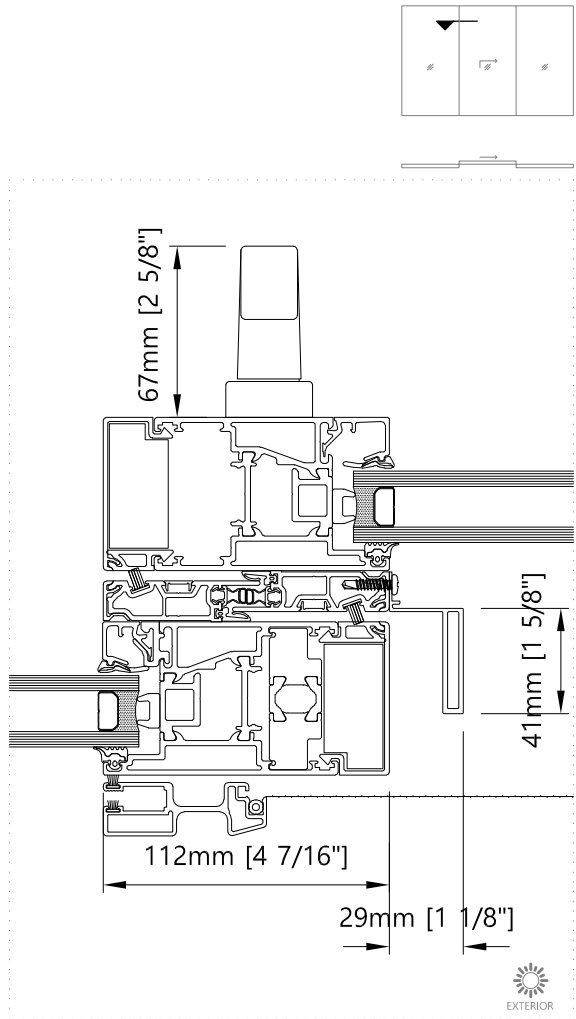
Horizontal Details

W1.3

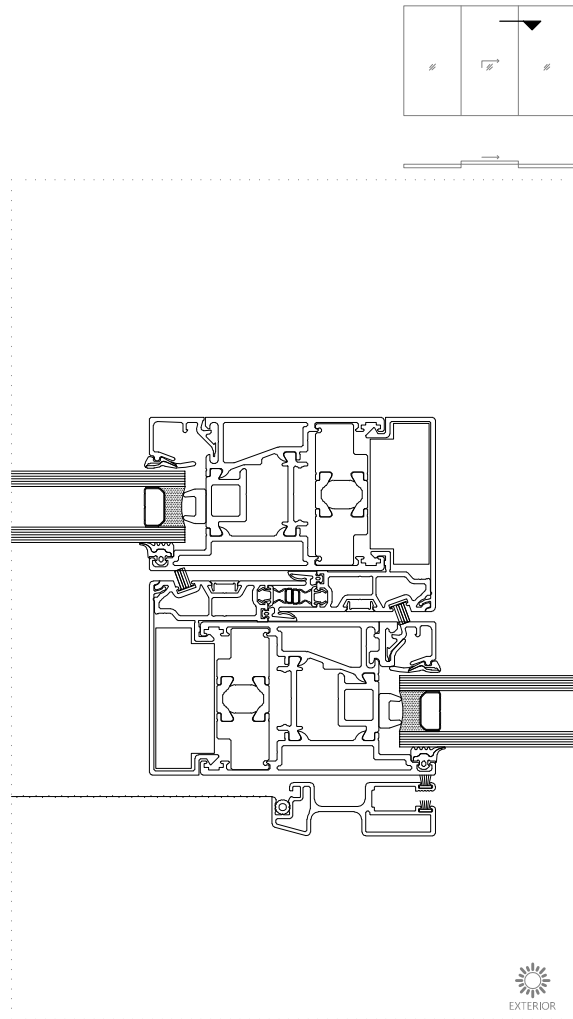
V1

1677 Aimco Blvd., Unit A,
Mississauga, ON, L4W 1H7
905-602-5887
www.bigfootdoor.com

bigfoot | door



8 Meeting section - Horizontal
Three Panel Lift & Slide Door with Fly Screen



9 Meeting section - Horizontal
Three Panel Lift & Slide Door with Fly Screen

ASE 60 Lift & Slide Door (Standard 2-track)

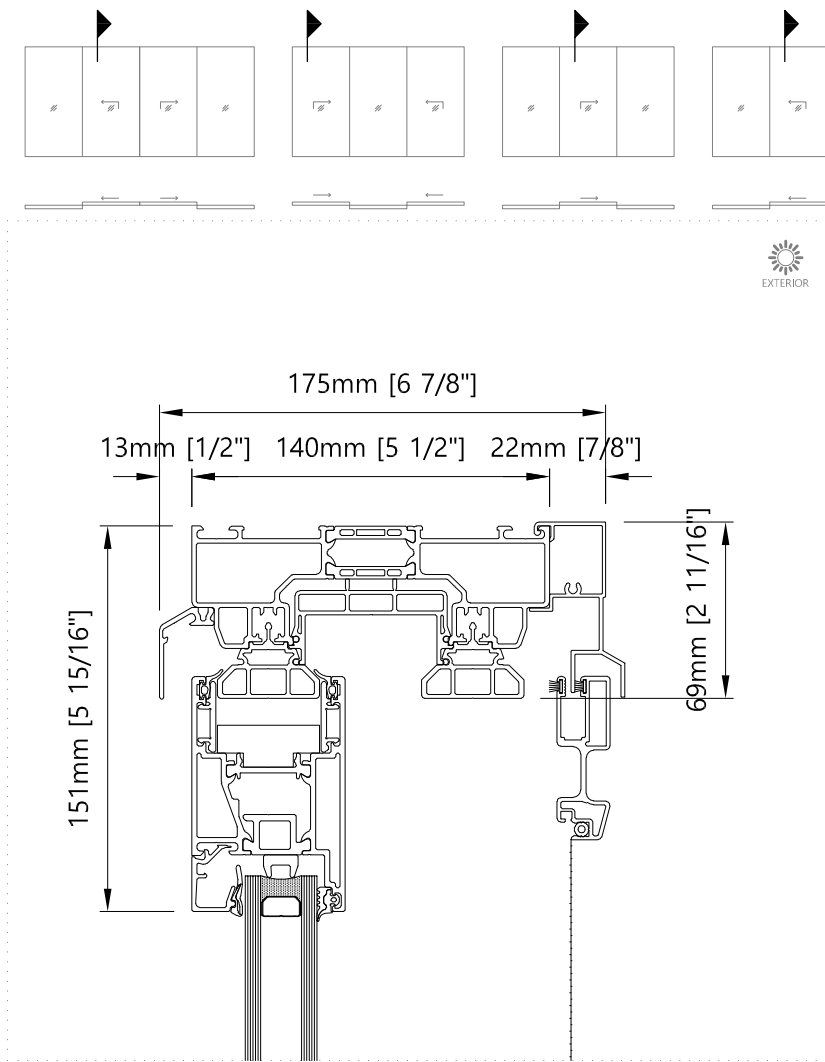
Horizontal Details

W1.4

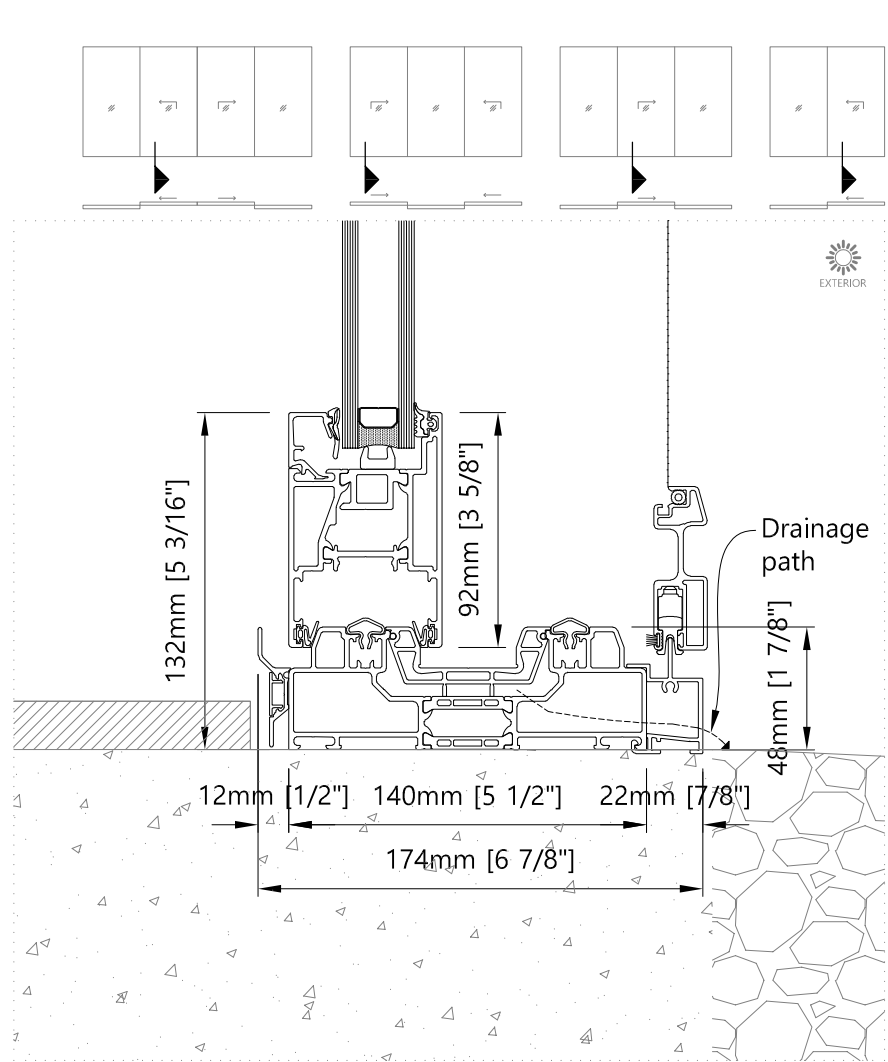
V1

1677 Aimco Blvd., Unit A,
Mississauga, ON, L4W 1H7
905-602-5887
www.bigfootdoor.com

bigfoot | door



10 Top - Vertical
Two/Three/Four Panel Lift & Slide Door with Fly Screen



11 Bottom - Vertical
Two/Three/Four Panel Lift & Slide Door with Fly Screen

ASE 60 Lift & Slide Door (Standard 2-track)

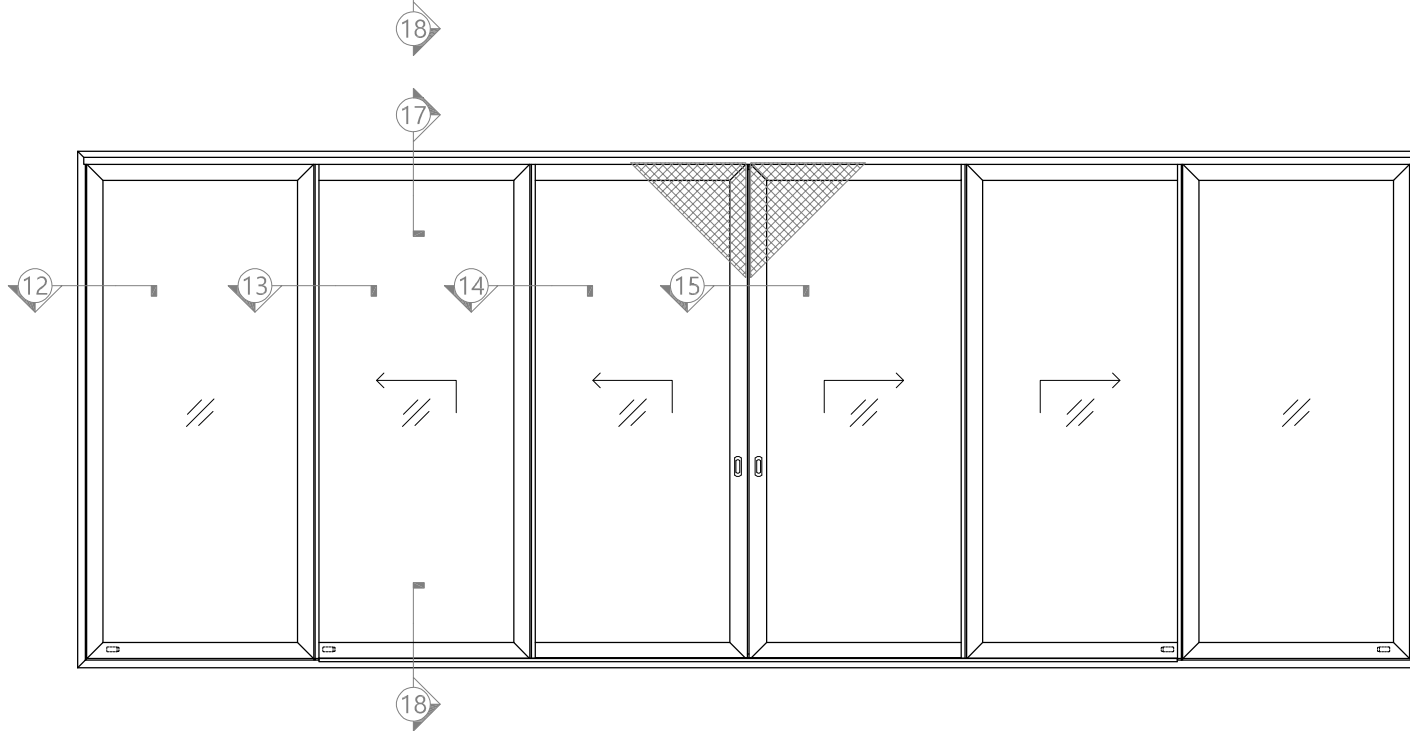
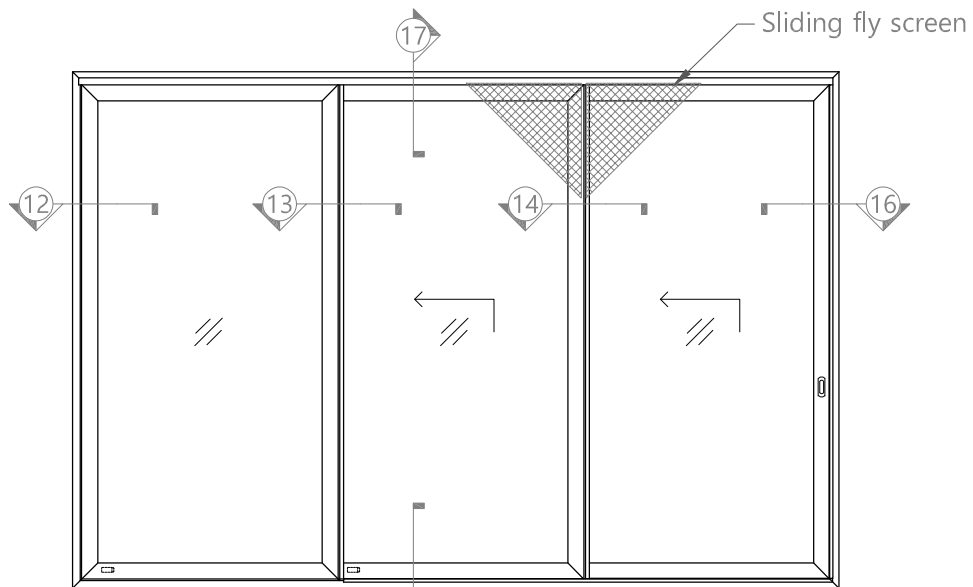
Vertical Details

W1.5

V1

1677 Aimco Blvd., Unit A,
Mississauga, ON, L4W 1H7
905-602-5887
www.bigfootdoor.com

bigfoot | door



ASE 60 Lift & Slide Door (Standard 3-track)

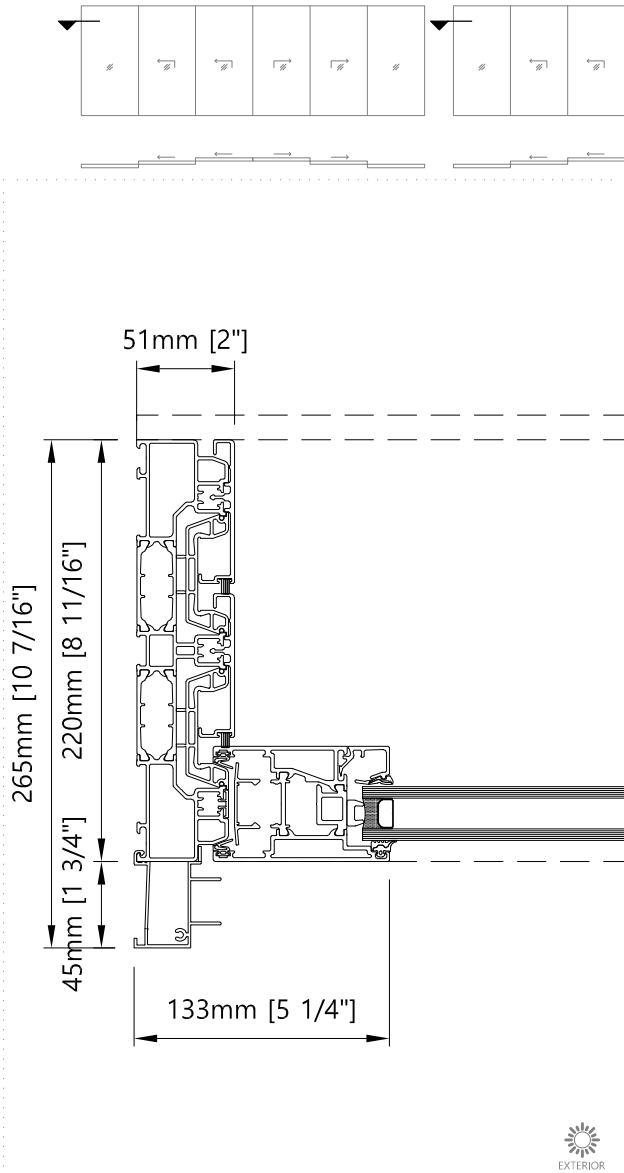
Elevation - Exterior View

W2

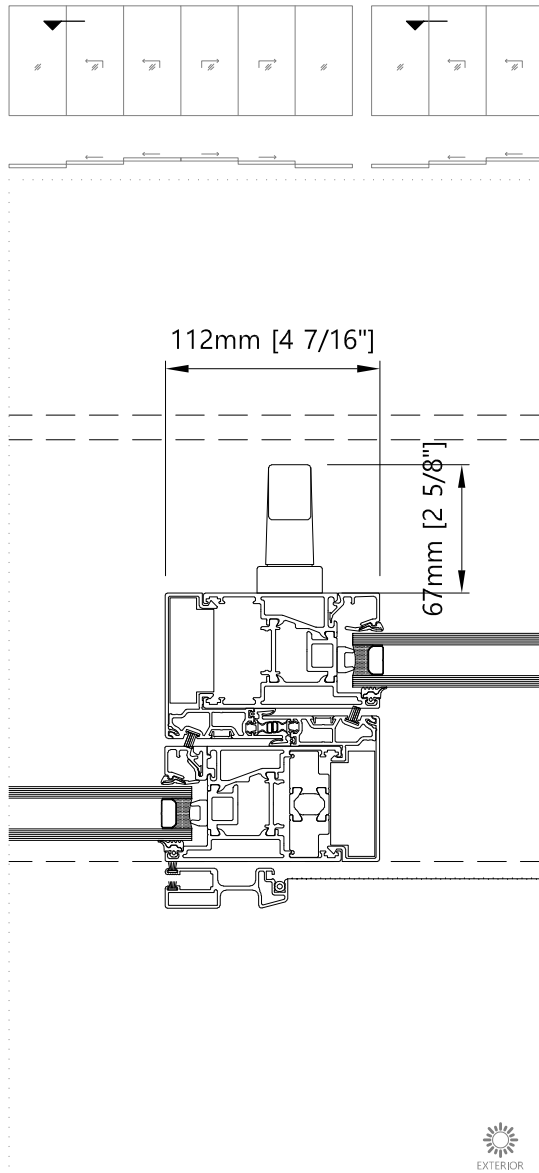
V1

1677 Aimco Blvd., Unit A,
Mississauga, ON, L4W 1H7
905-602-5887
www.bigfootdoor.com

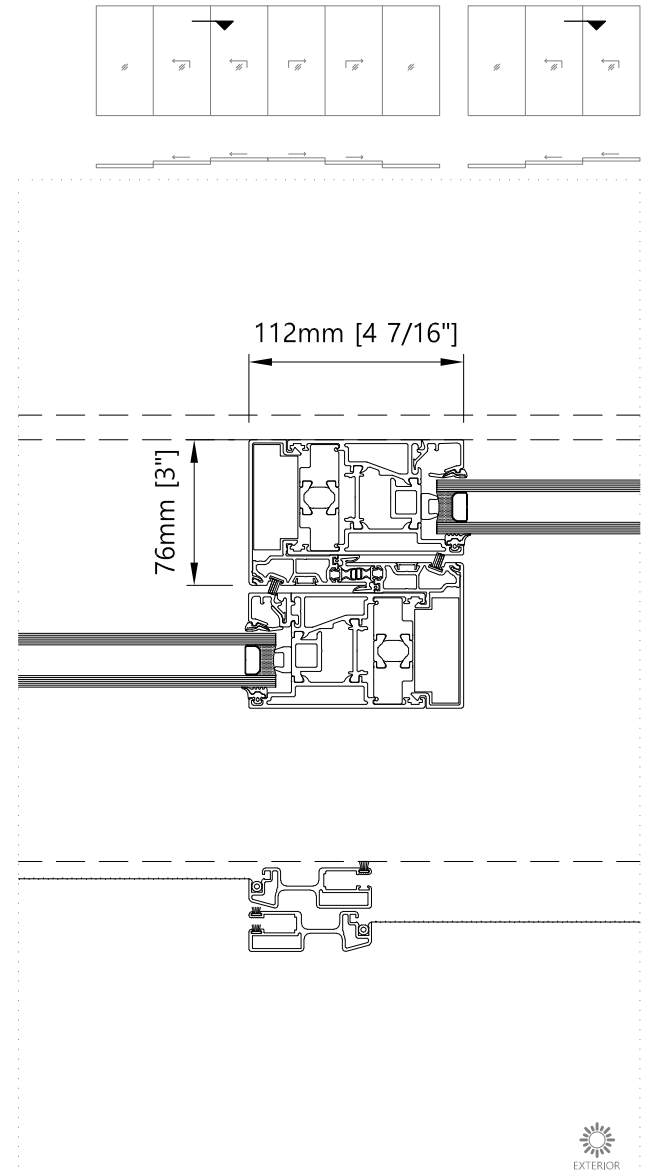
bigfoot | door



12 Jamb - Horizontal
Three/Six Panel L&S Door with Fly Screen



13 Meeting section - Horizontal
Three/Six Panel L&S Door with FS



14 Meeting section - Horizontal
Three/Six Panel L&S Door with FS

ASE 60 Lift & Slide Door (Standard 3-track)

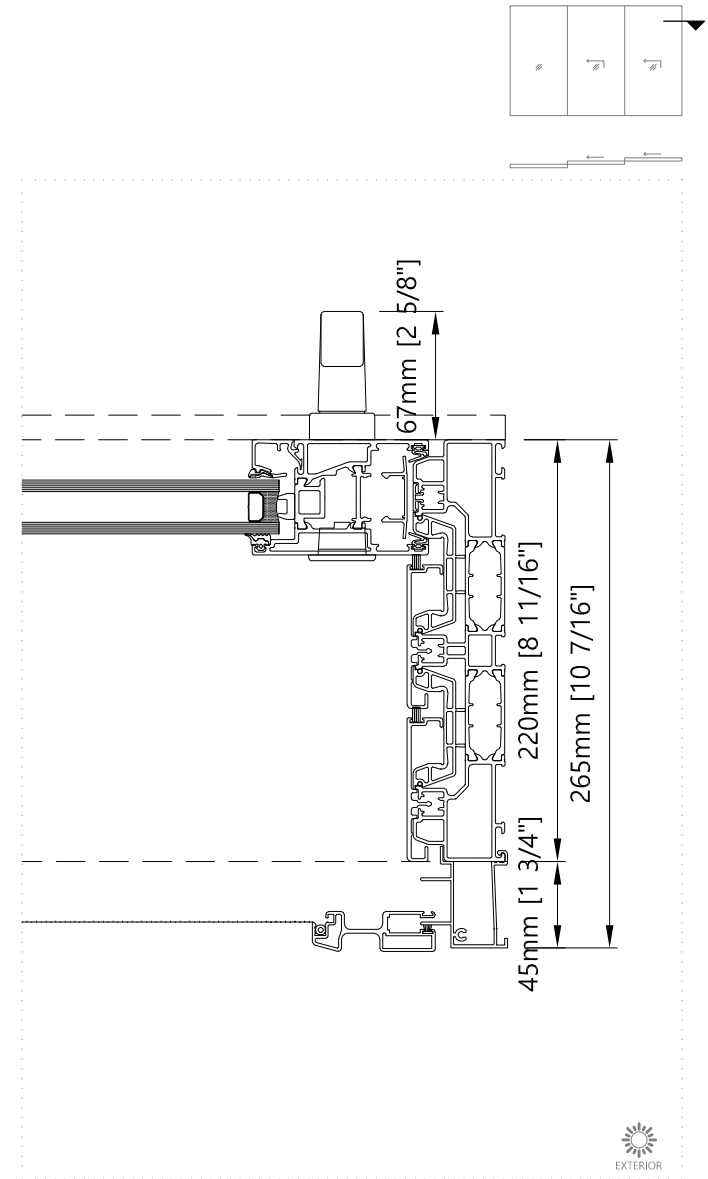
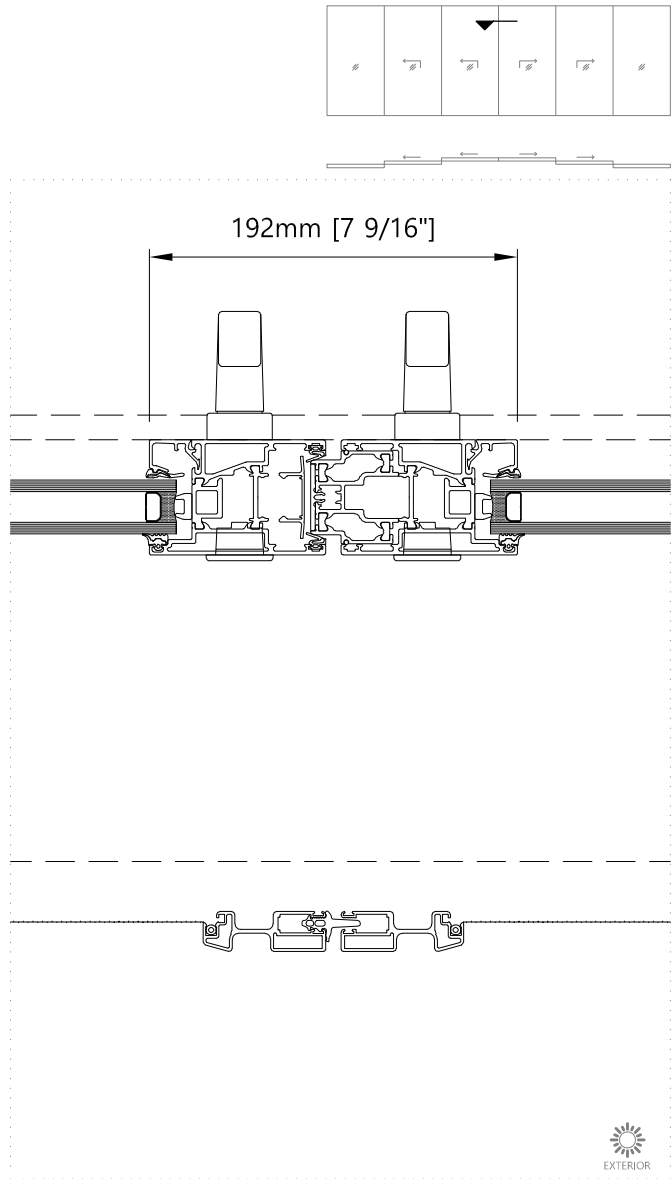
Horizontal Details

W2.1

V1

1677 Aimco Blvd., Unit A,
Mississauga, ON, L4W 1H7
905-602-5887
www.bigfootdoor.com

bigfoot | door



15 Meeting section - Horizontal
Six Panel Bi-parting L&S Door with Fly Screen

16 Jamb - Horizontal
Three Panel L&S Door with Fly Screen

ASE 60 Lift & Slide Door (Standard 3-track)

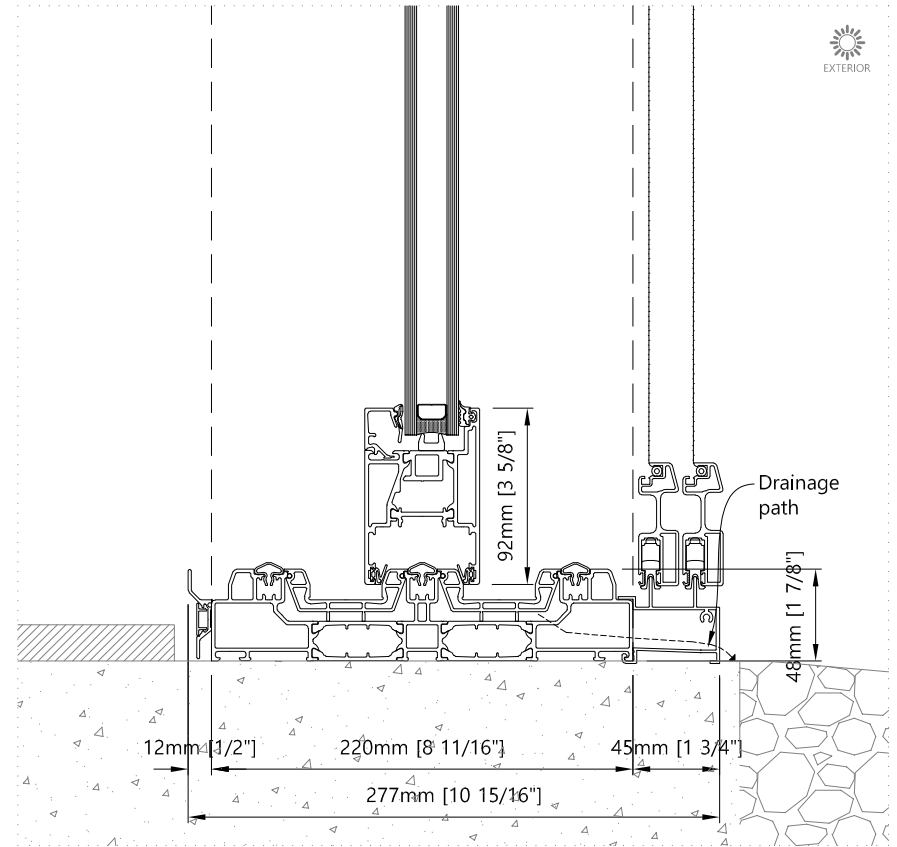
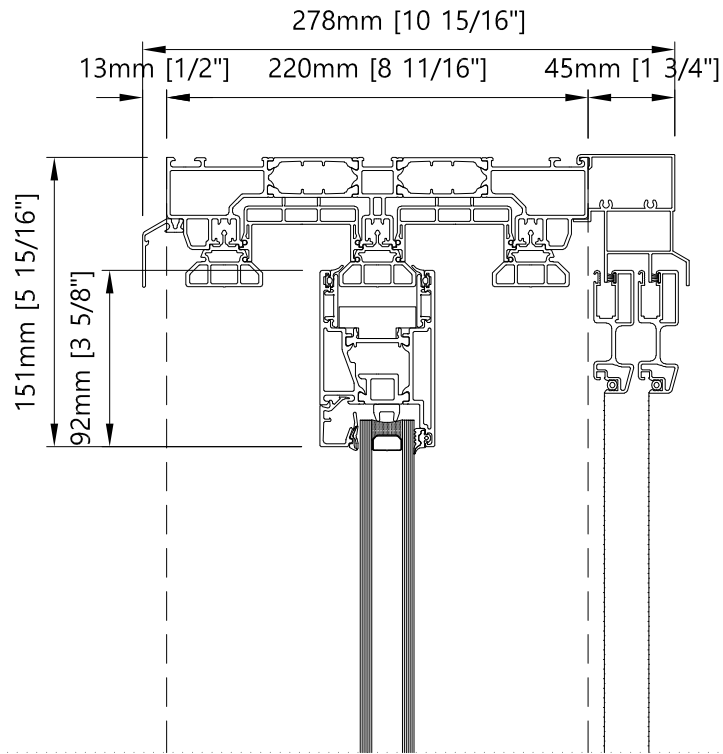
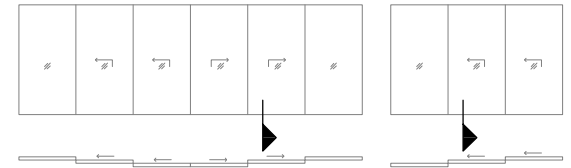
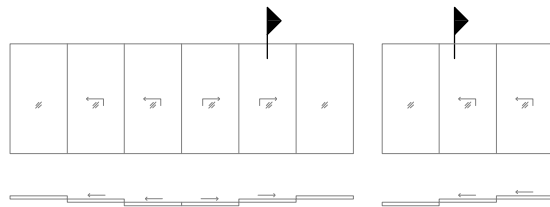
Horizontal Details

W2.2

V1

1677 Aimco Blvd., Unit A,
Mississauga, ON, L4W 1H7
905-602-5887
www.bigfootdoor.com

bigfoot | door



17 Top - Vertical
Three/Six Panel Lift & Slide Door with Fly Screen

18 Bottom - Vertical
Three/Six Panel Lift & Slide Door with Fly Screen

ASE 60 Lift & Slide Door (Standard 3-track)

Vertical Details

W2.3

V1

1677 Aimco Blvd., Unit A,
Mississauga, ON, L4W 1H7
905-602-5887
www.bigfootdoor.com

