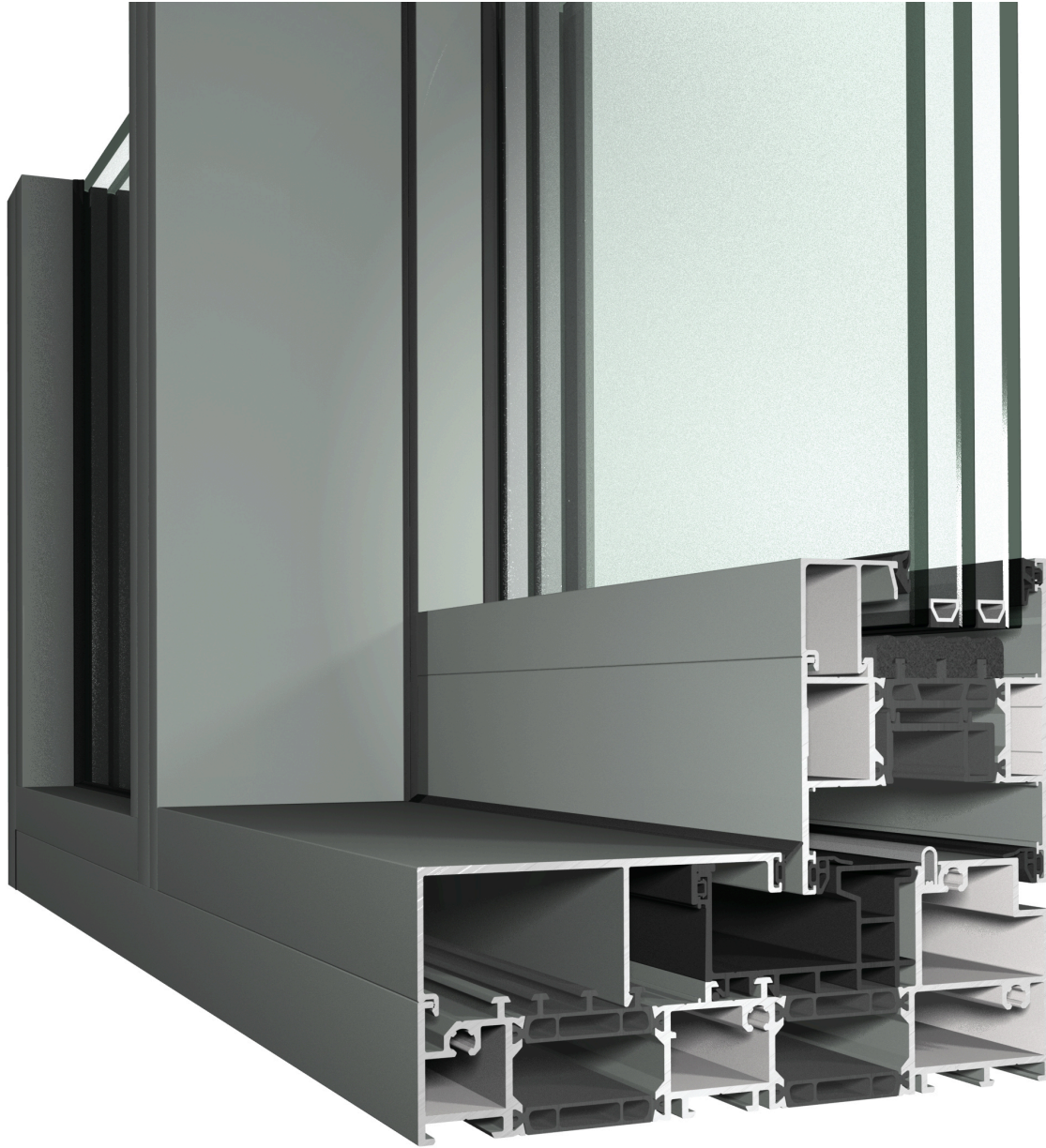


MASTERPATIO MONORAIL



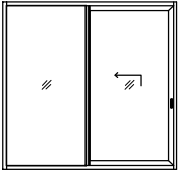
Sliding doors improve the design and accessibility of any building type. With large easy-to-operate glazed surfaces, you can bring sunlight inside and create open spaces in an instance. Specific sliding solutions such as open corners, high-insulation systems, integrated flyscreens and motorised variants improve your daily comfort even more.

SERIES MASTERPATIO MONORAIL LIFT & SLIDE DOOR

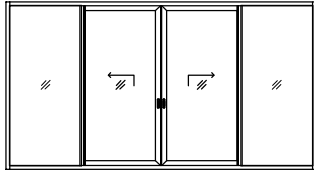
MasterPatio Monorail

Standard

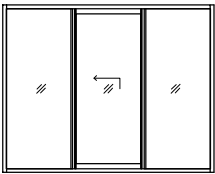
OX (1,2)



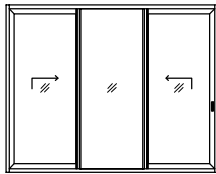
OXXO (1,2)



OXO (1,2)

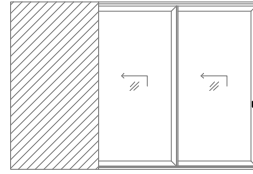


XOX (1,2)

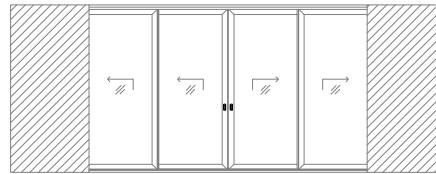


Pocket

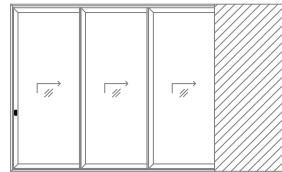
PXX (2)



PXXXXP (2)

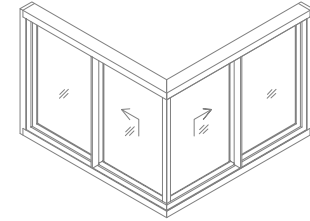


XXXXP (2)

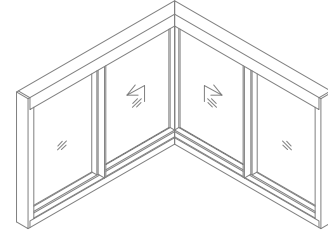


Corner

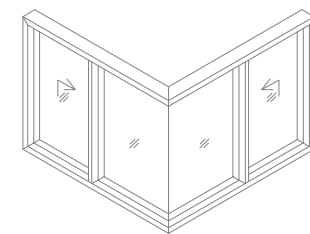
OX | XO(2)



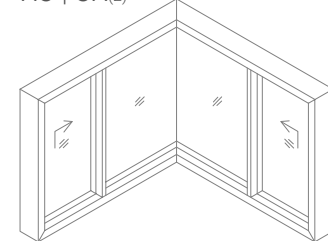
OX | XO(2)



XO | OX(2)



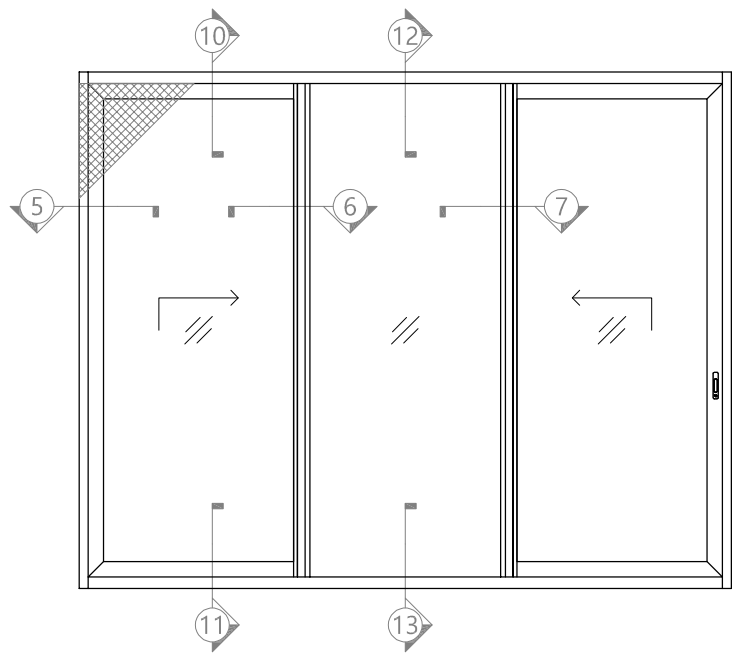
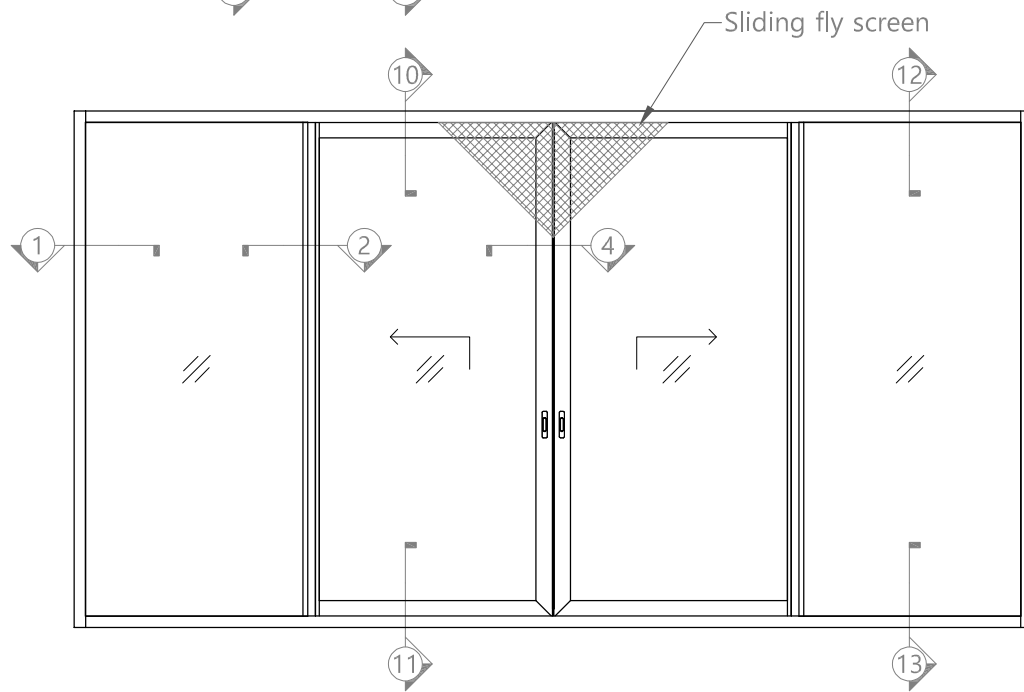
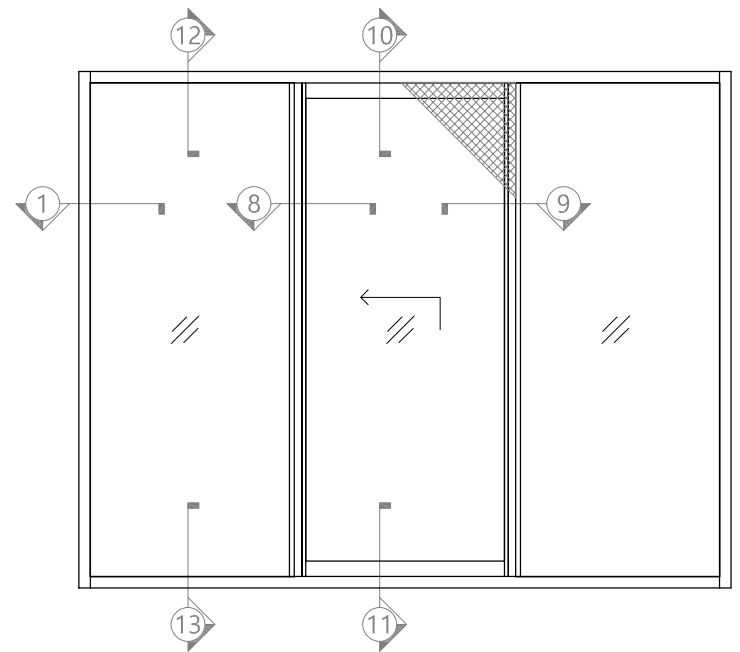
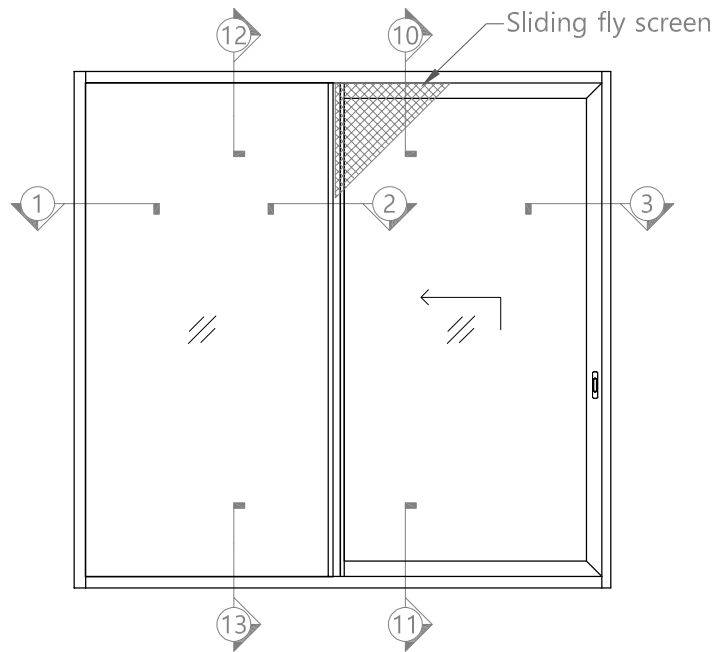
XO | OX(2)



* possible only with double glass

(1) with fly screen

(2) without fly screen



MasterPatio Monorail Lift & Slide Door (2-track) with Fly Screen

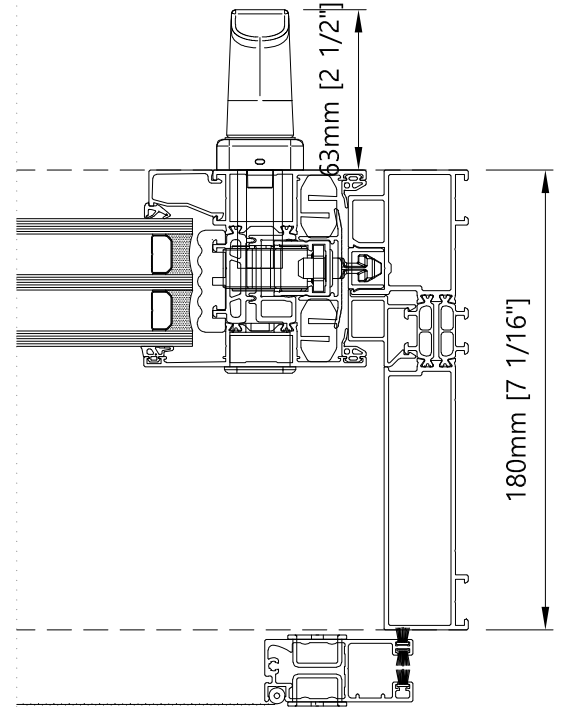
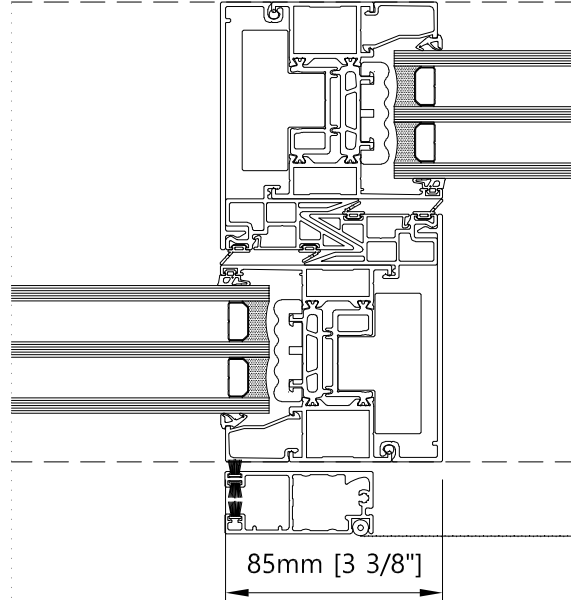
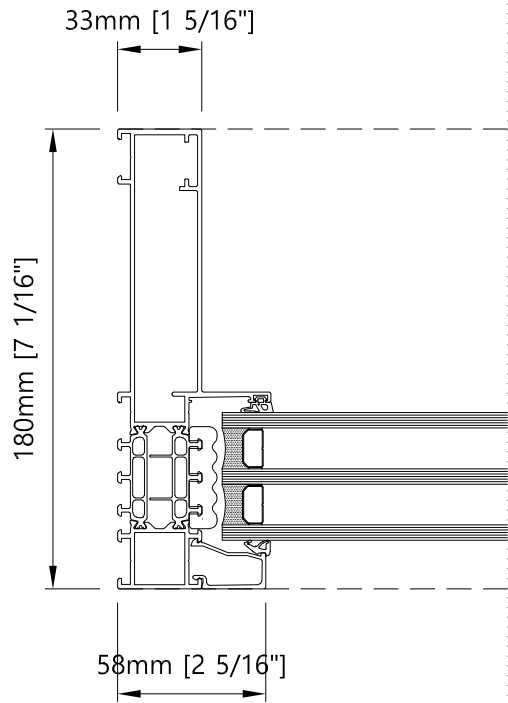
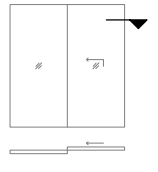
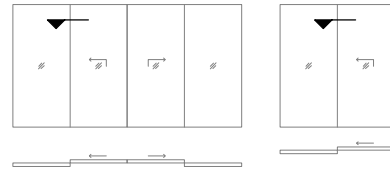
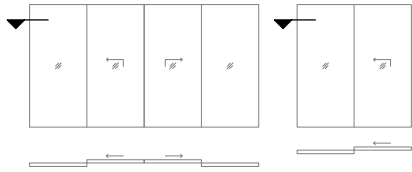
Elevation - Exterior View

W2.1

2024_V1

1677 Aimco Blvd., Unit A,
Mississauga, ON., L4W 1H7
905-602-5887
www.bigfootdoor.com

bigfoot | door



EXTERIOR



EXTERIOR

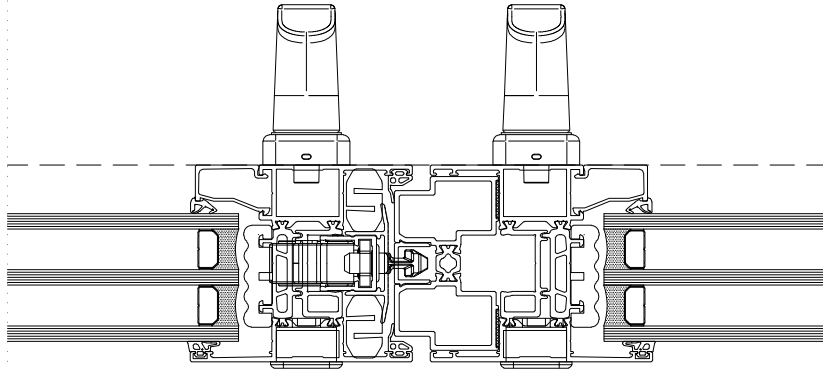
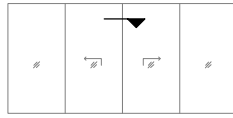


EXTERIOR

1 Jamb - Horizontal
Lift & Slide Door without Fly Screen

2 Meeting section - Horizontal
Lift & Slide Door without Fly Screen

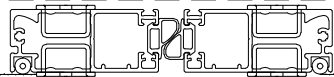
3 Jamb - Horizontal
Lift & Slide Door without Fly Screen



Primary active panel

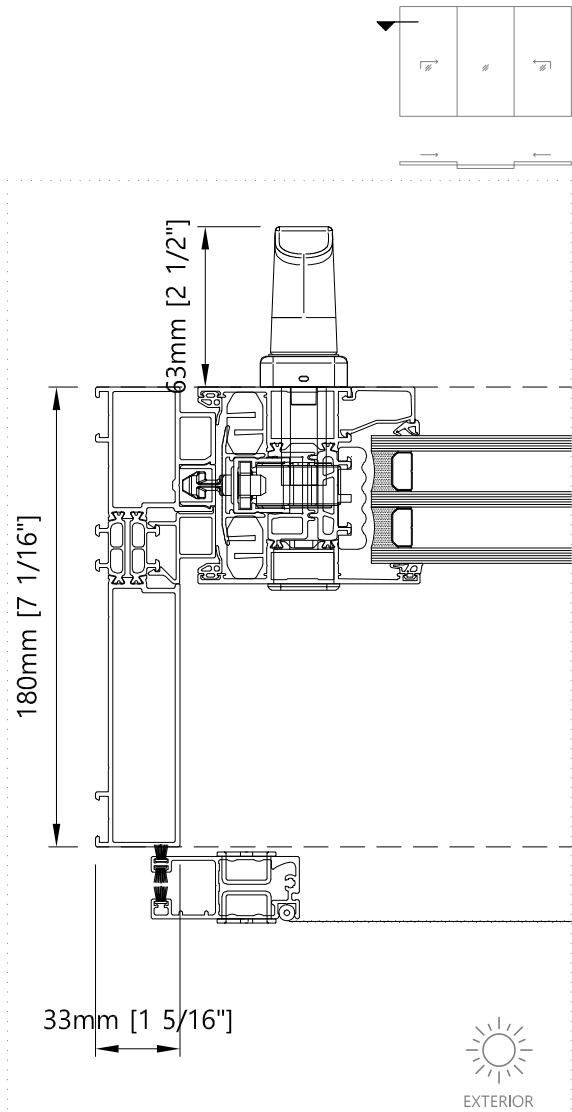
87mm [3 7/16"]

181mm [7 1/8"]

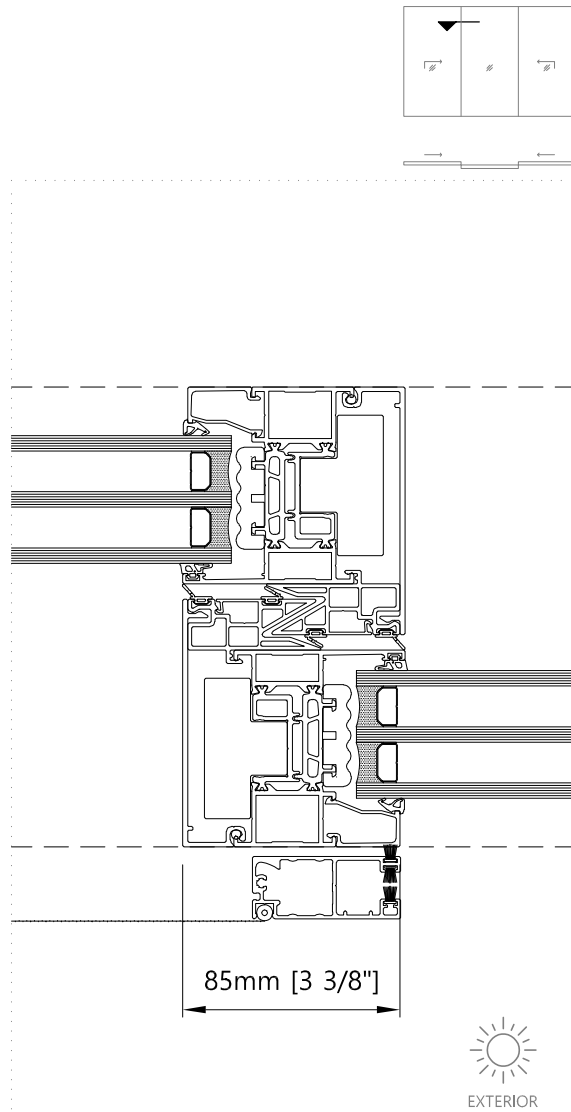


EXTERIOR

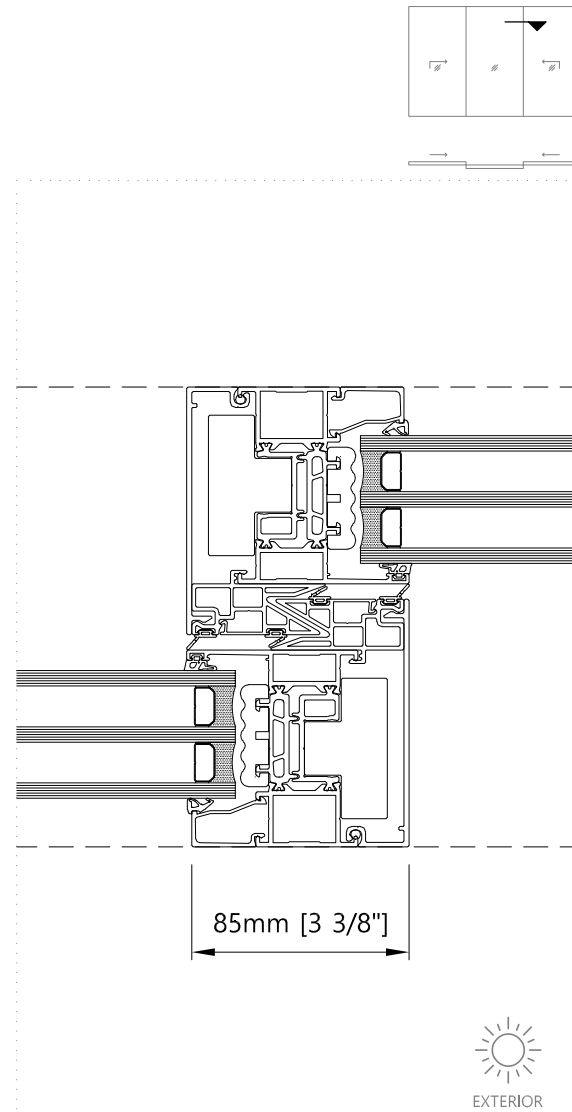
4 Meeting section - Horizontal
Bi-parting Lift & Slide Door without Fly Screen



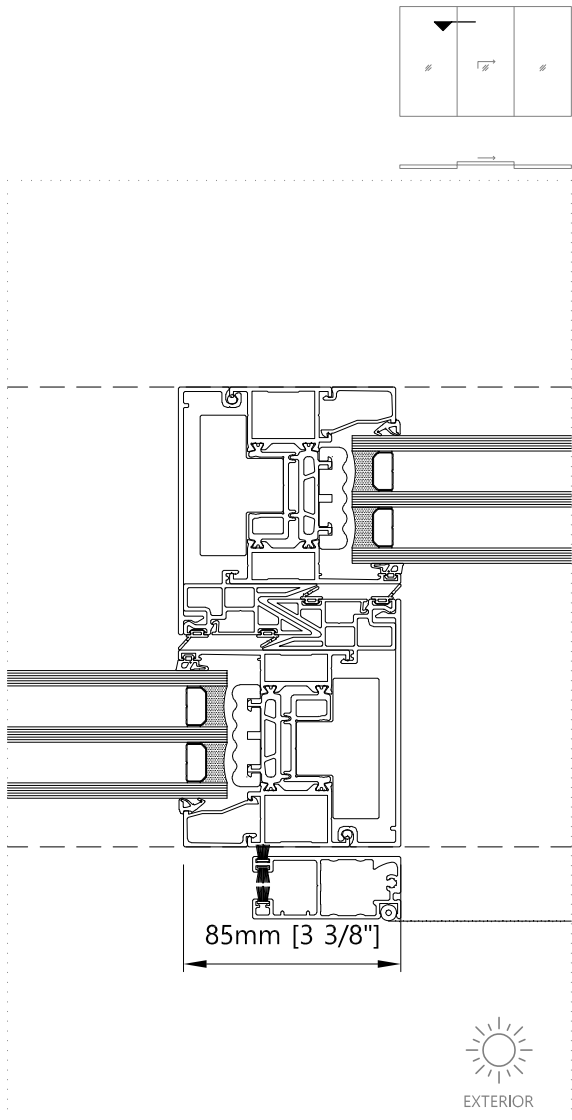
5 Jamb - Horizontal
Lift & Slide Door without Fly Screen



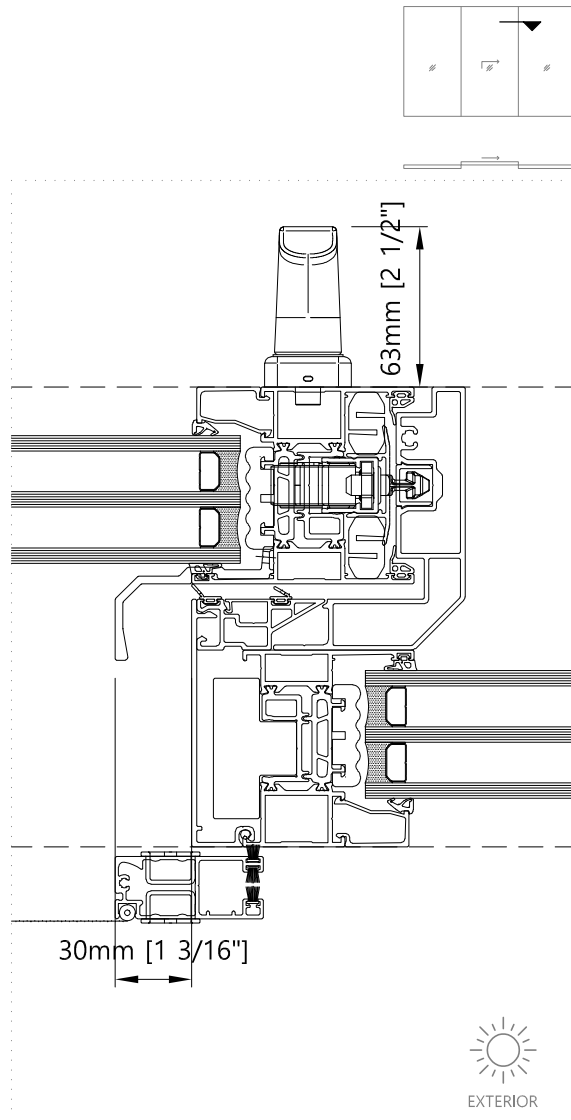
6 Meeting section - Horizontal
Lift & Slide Door without Fly Screen



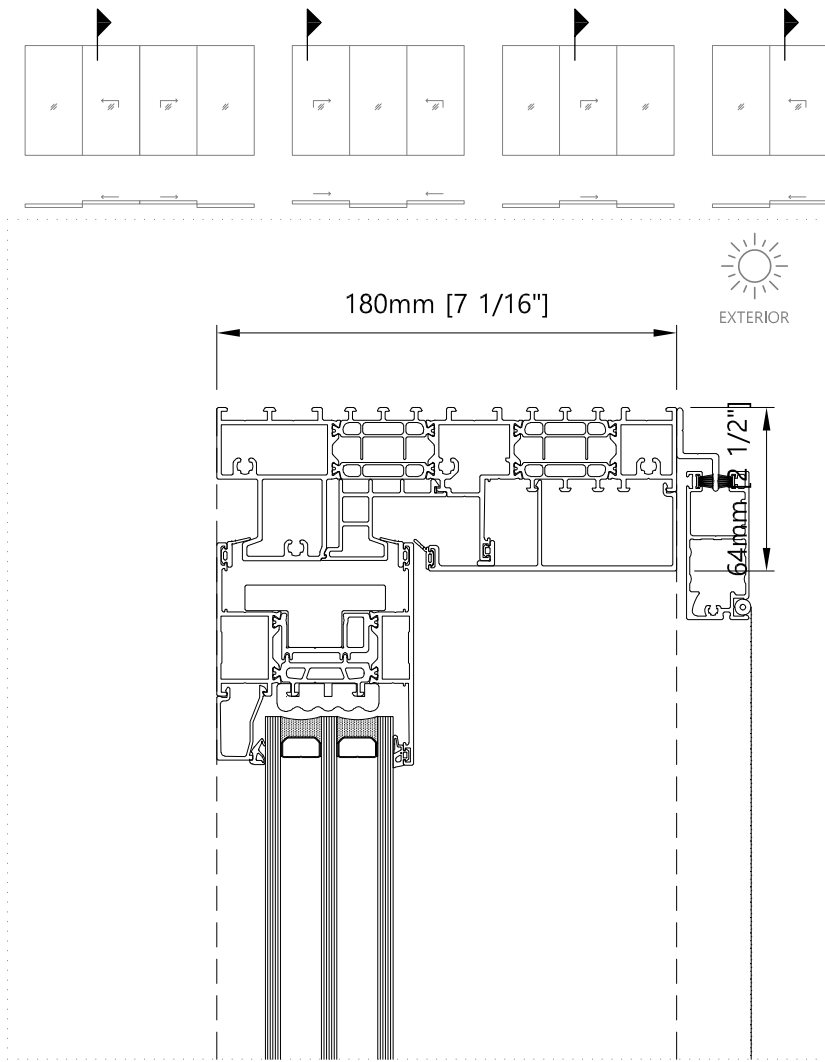
7 Meeting section - Horizontal
Lift & Slide Door without Fly Screen



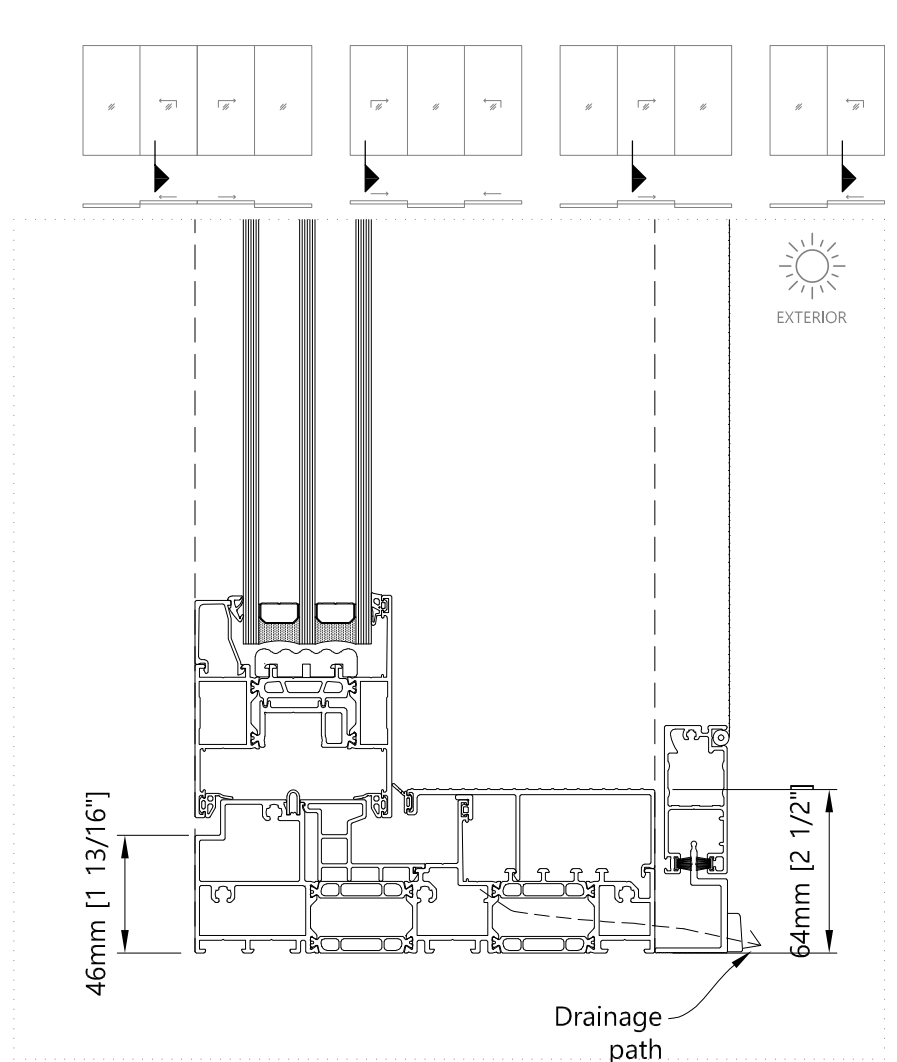
8 Meeting section - Horizontal
Lift & Slide Door without Fly Screen



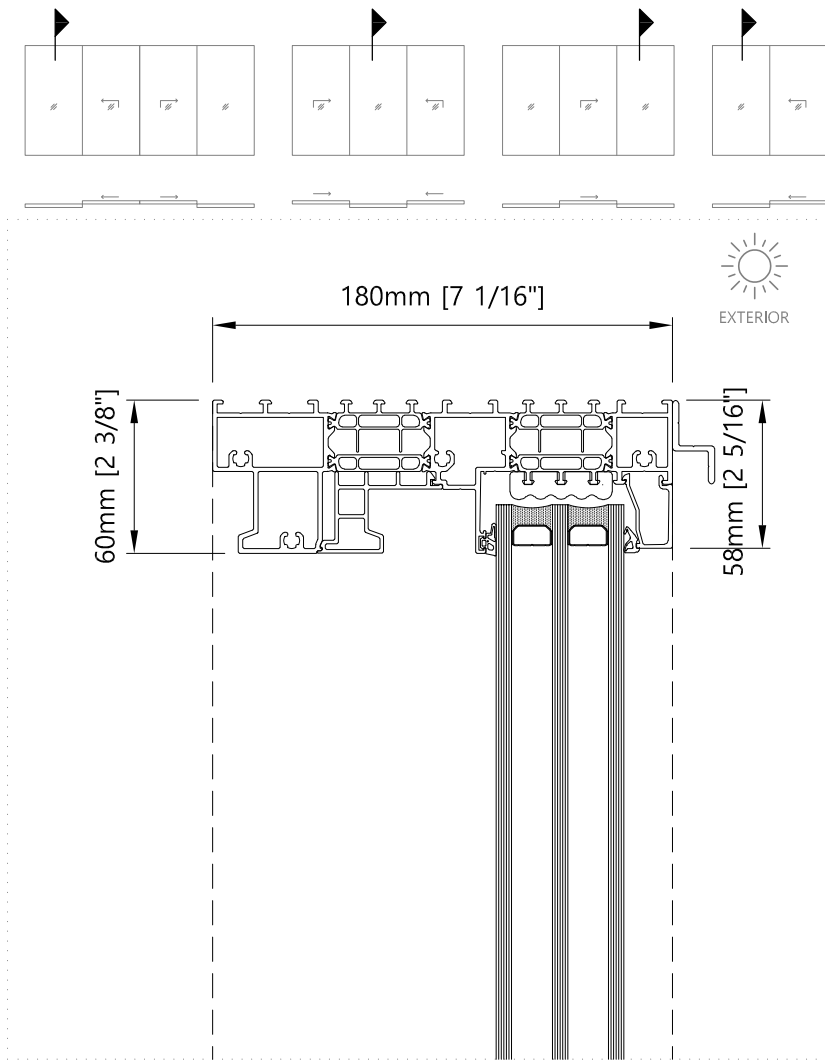
9 Meeting section - Horizontal
Lift & Slide Door without Fly Screen



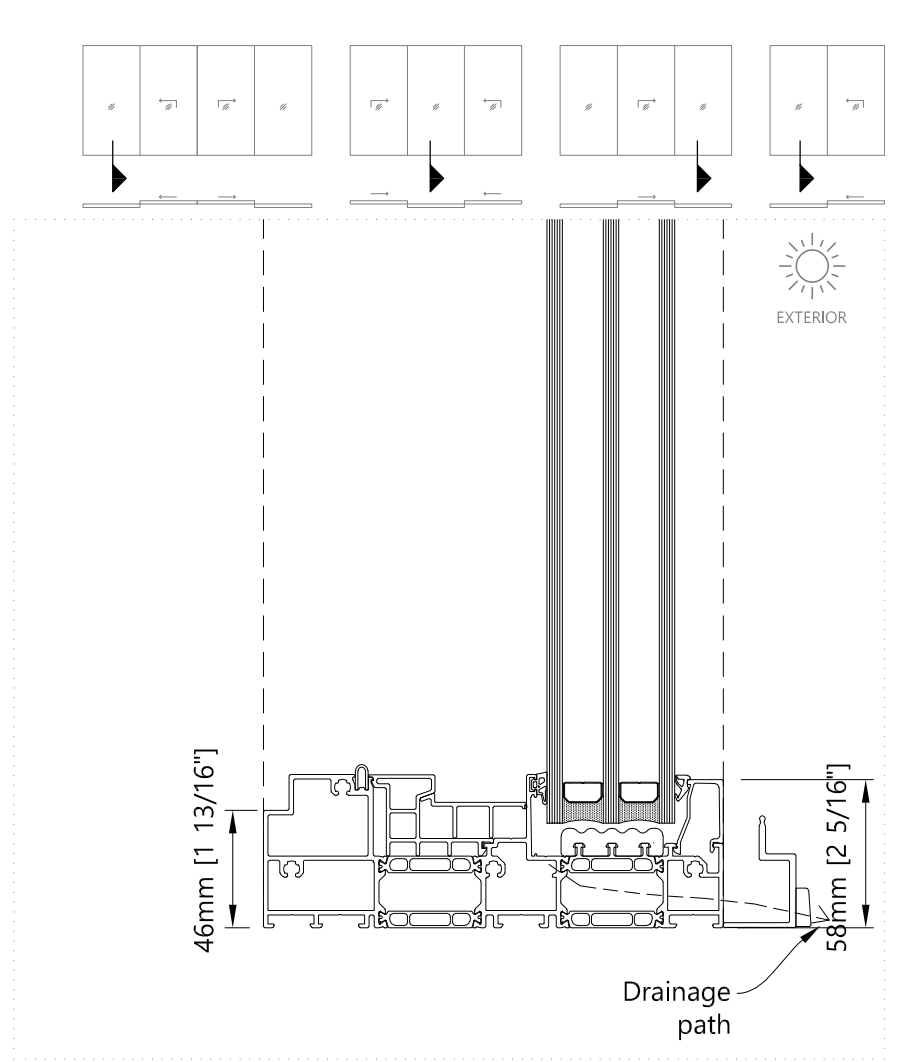
10 Top - Vertical
Lift & Slide Door without Fly Screen



11 Bottom - Vertical
Lift & Slide Door without Fly Screen



12 Top - Vertical
Lift & Slide Door without Fly Screen



13 Bottom - Vertical
Lift & Slide Door without Fly Screen