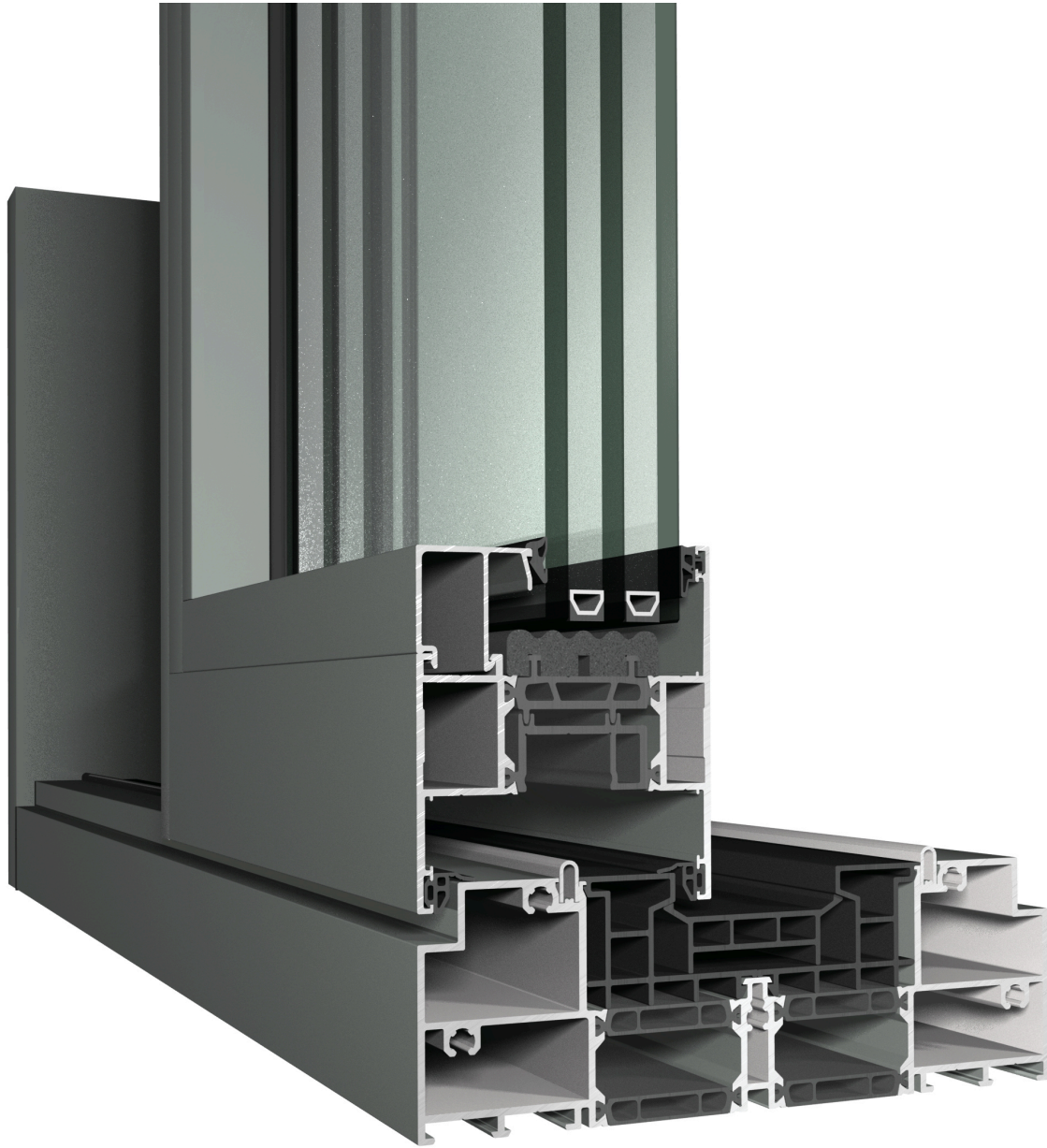


MASTERPATIO



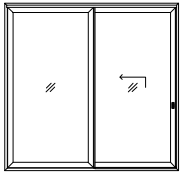
Sliding doors improve the design and accessibility of any building type. With large easy-to-operate glazed surfaces, you can bring sunlight inside and create open spaces in an instance. Specific sliding solutions such as open corners, high-insulation systems, integrated flyscreens and motorised variants improve your daily comfort even more.

SERIES MASTERPATIO LIFT & SLIDE DOOR

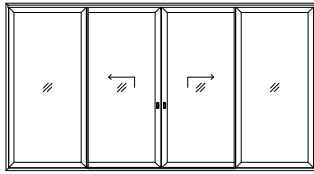
MasterPatio

Standard

OX (1,2)

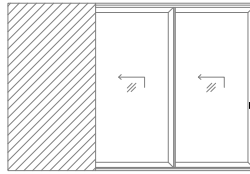


OXXO (1,2)



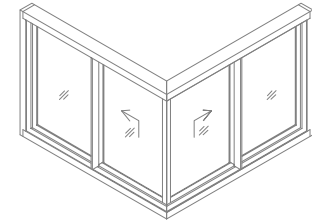
Pocket

PXX (2)

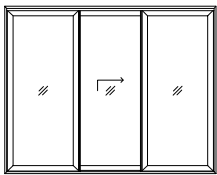


Corner

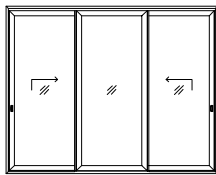
OX | XO(2)



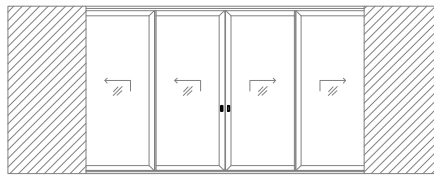
OXO (1,2)



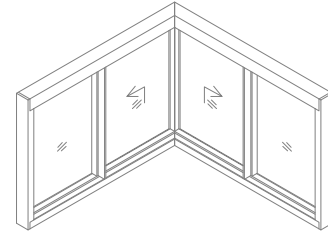
XOX (1,2)



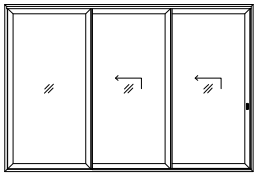
PXXXXP (2)



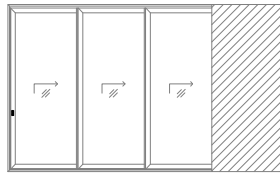
OX | XO(2)



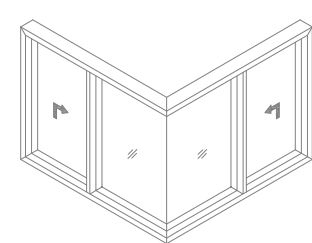
OXX (1,2)



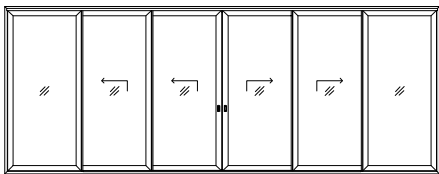
XXXXP (2)



XO | OX(2)



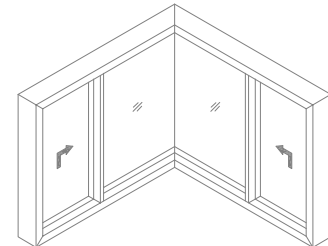
OXXXXO (1,2)



PXXXXXXP (2)



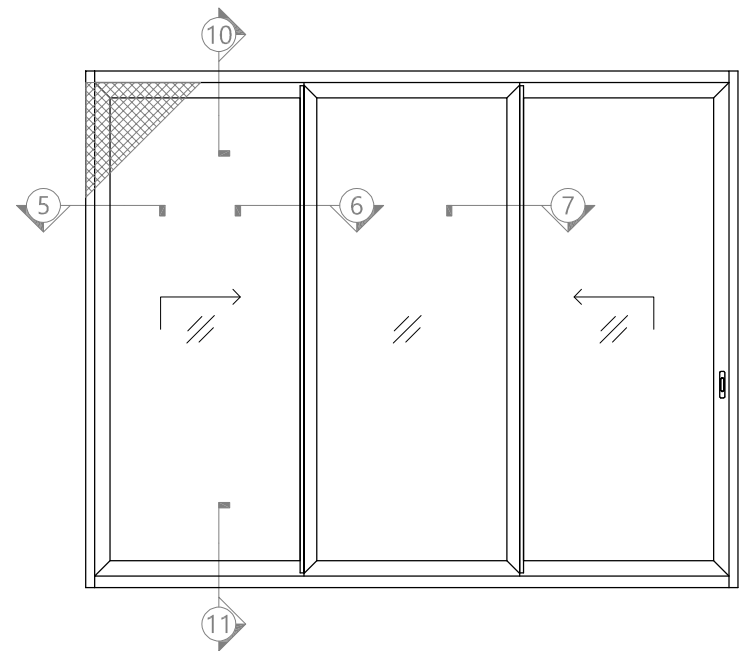
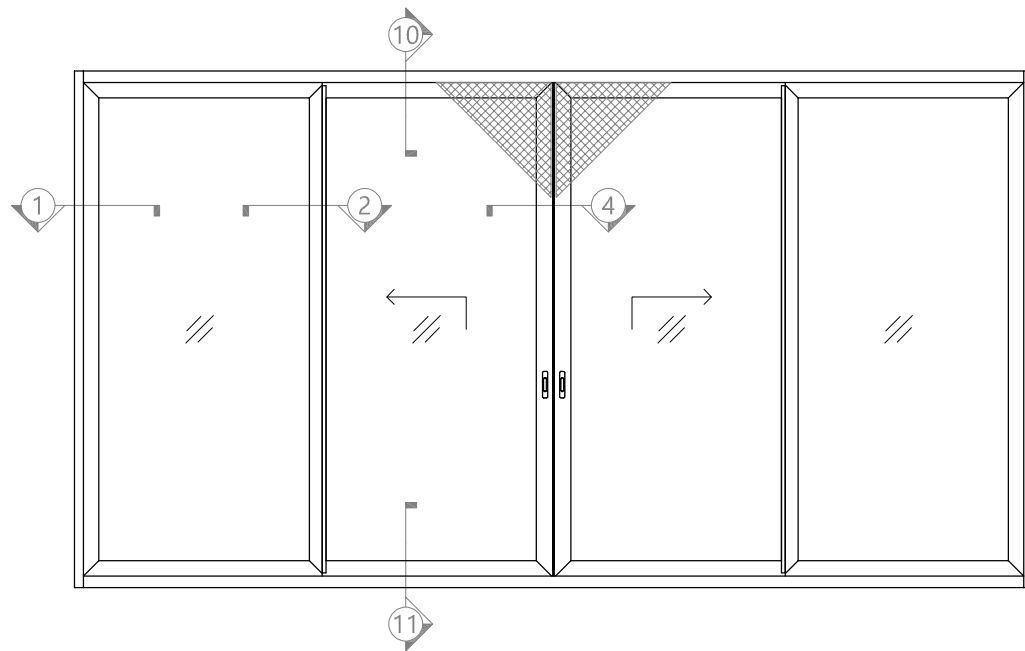
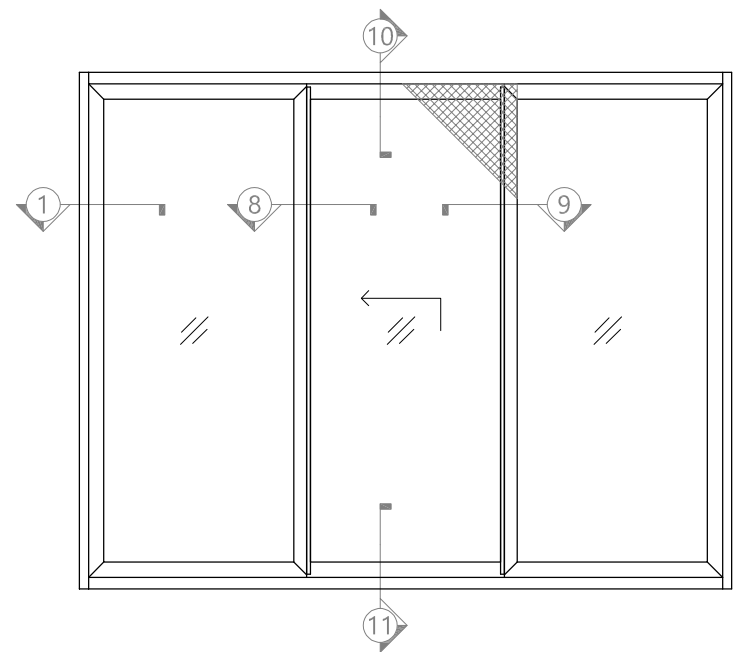
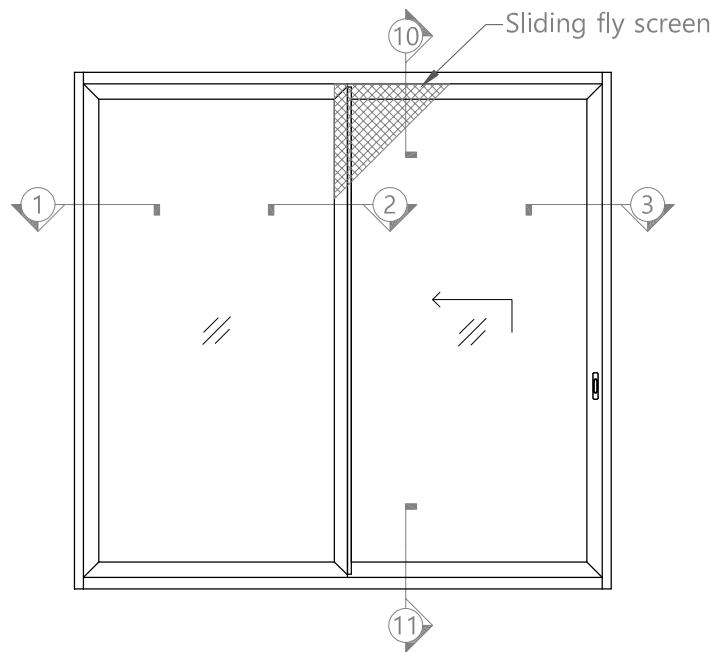
XO | OX(2)



* possible only with double glass

(1) with fly screen

(2) without fly screen



MasterPatio Lift & Slide Door (2-track) with Fly Screen

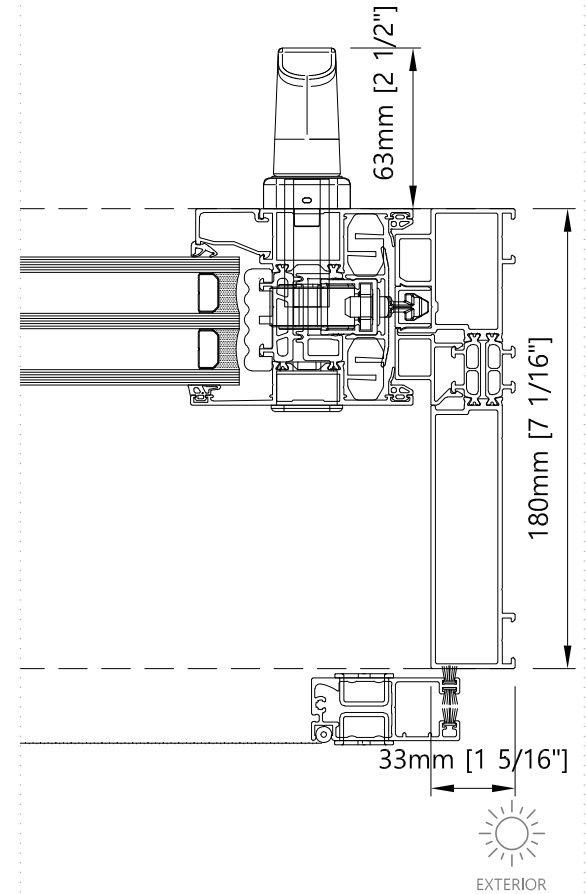
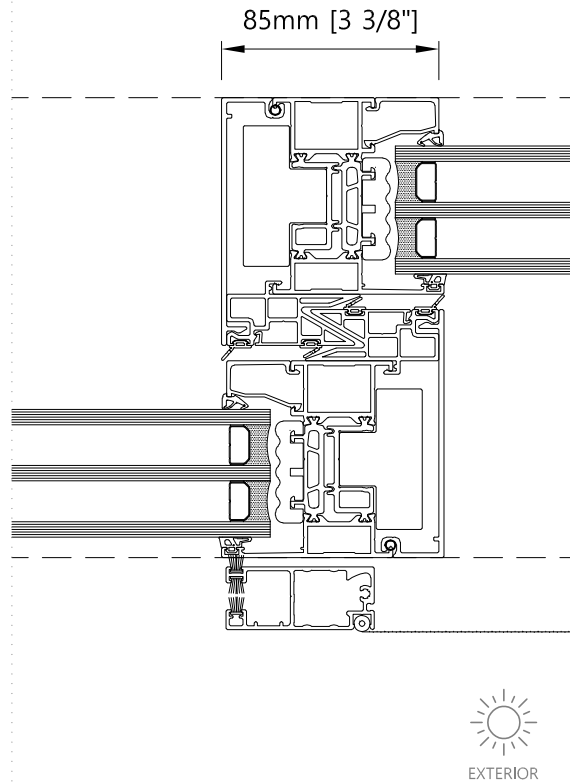
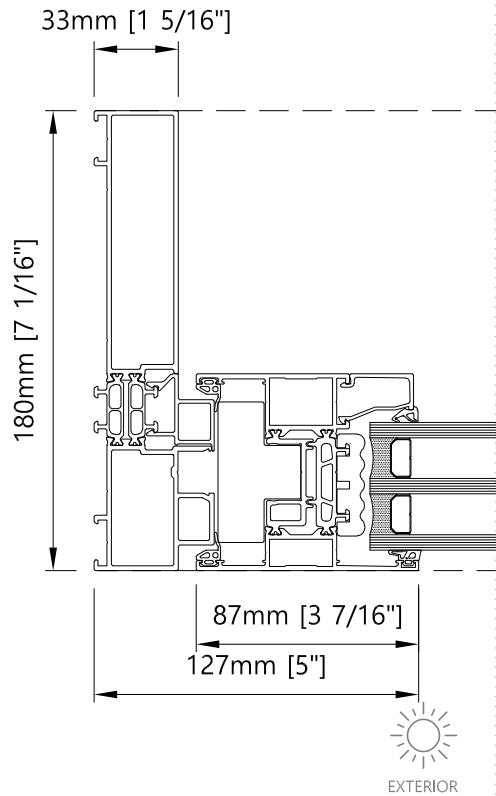
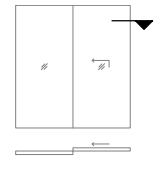
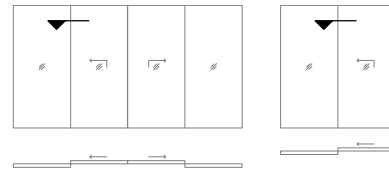
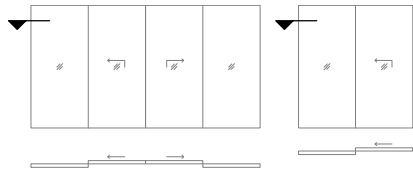
Elevation - Exterior View

W2.1

2024_V1

1677 Aimco Blvd., Unit A,
Mississauga, ON., L4W 1H7
905-602-5887
www.bigfootdoor.com

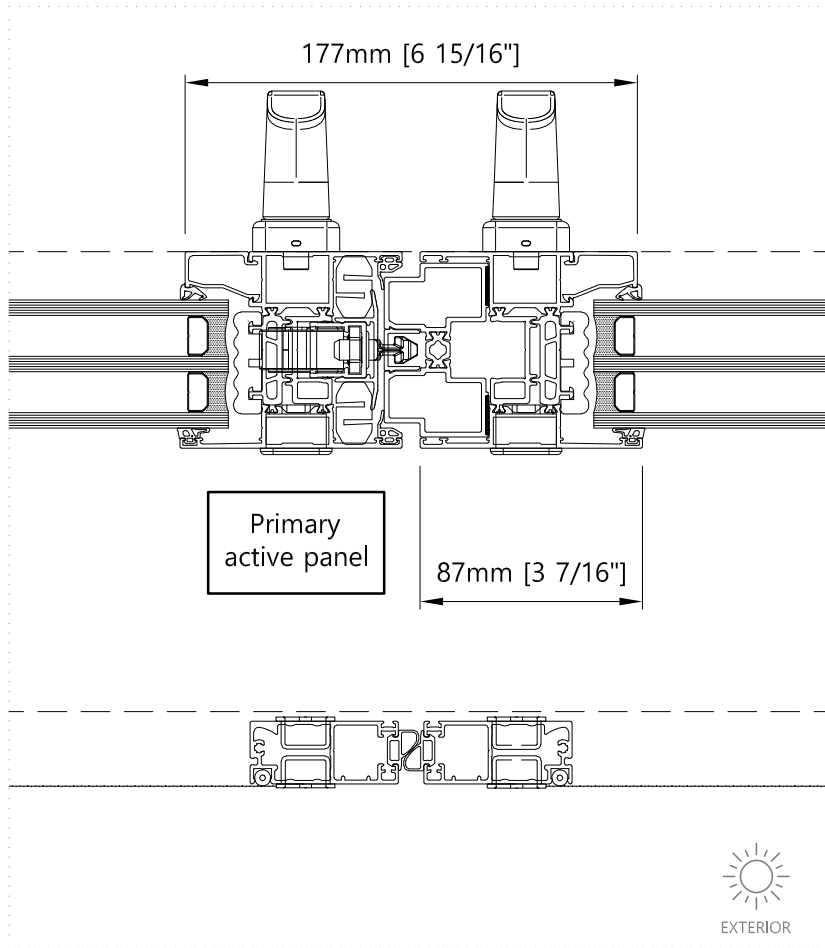
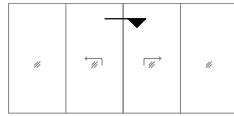
bigfoot | door



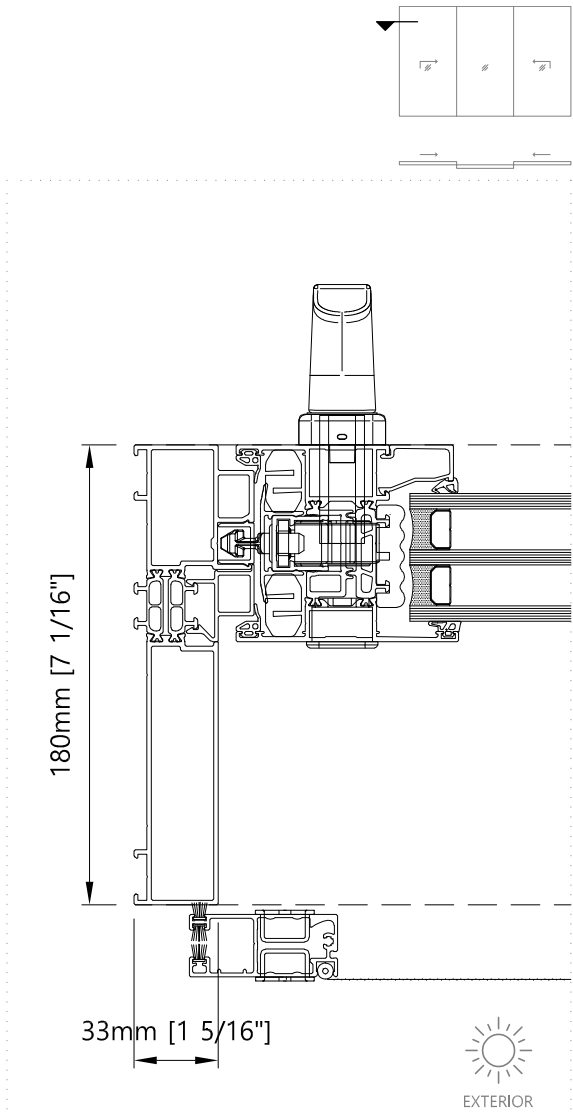
1 Jamb - Horizontal
Lift & Slide Door without Fly Screen

2 Meeting section - Horizontal
Lift & Slide Door without Fly Screen

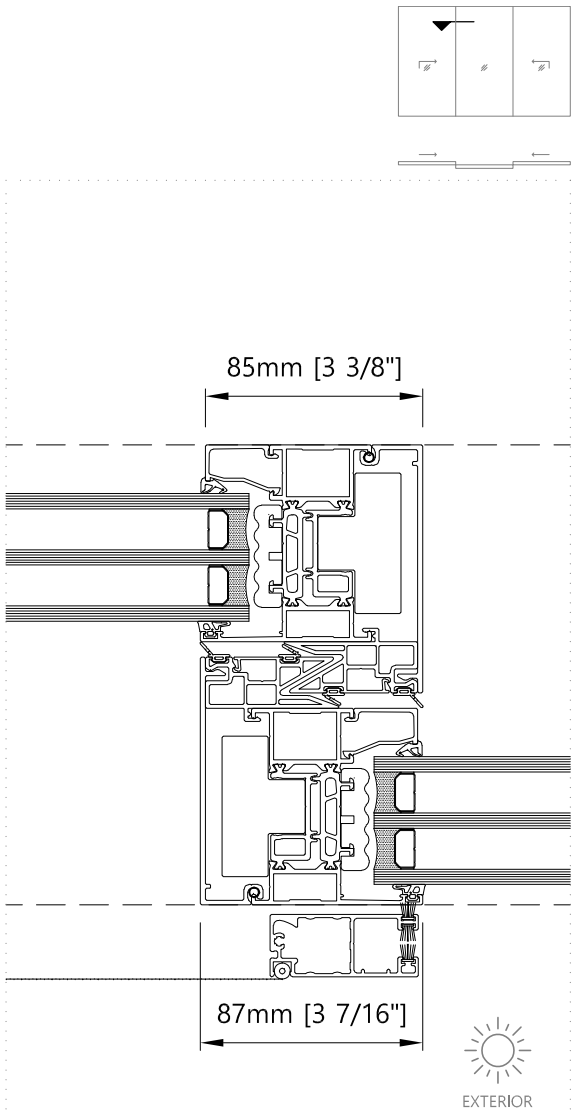
3 Jamb - Horizontal
Lift & Slide Door without Fly Screen



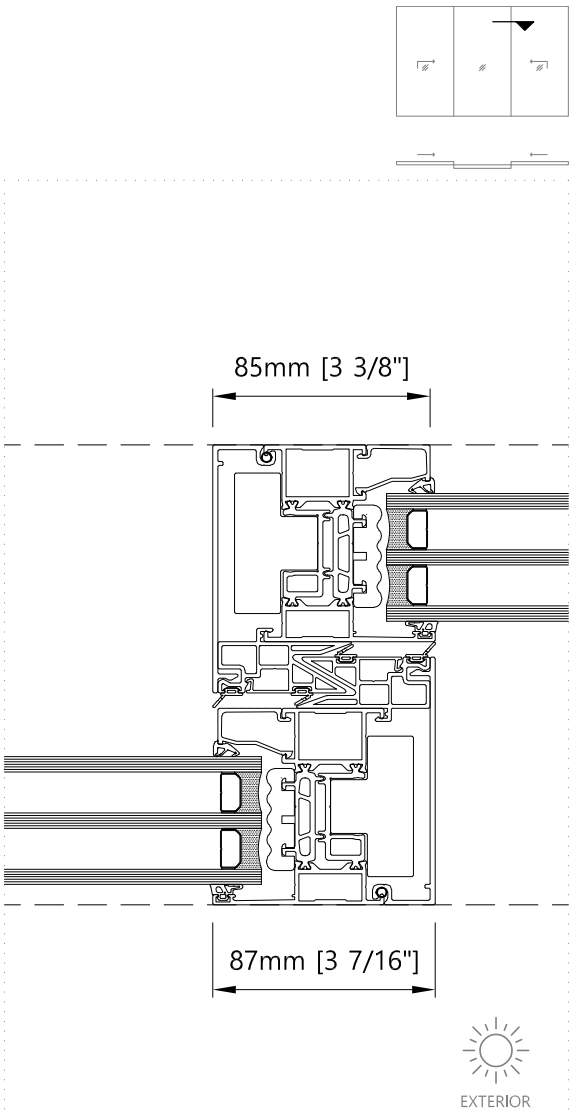
4 Meeting section - Horizontal
Bi-parting Lift & Slide Door without Fly Screen



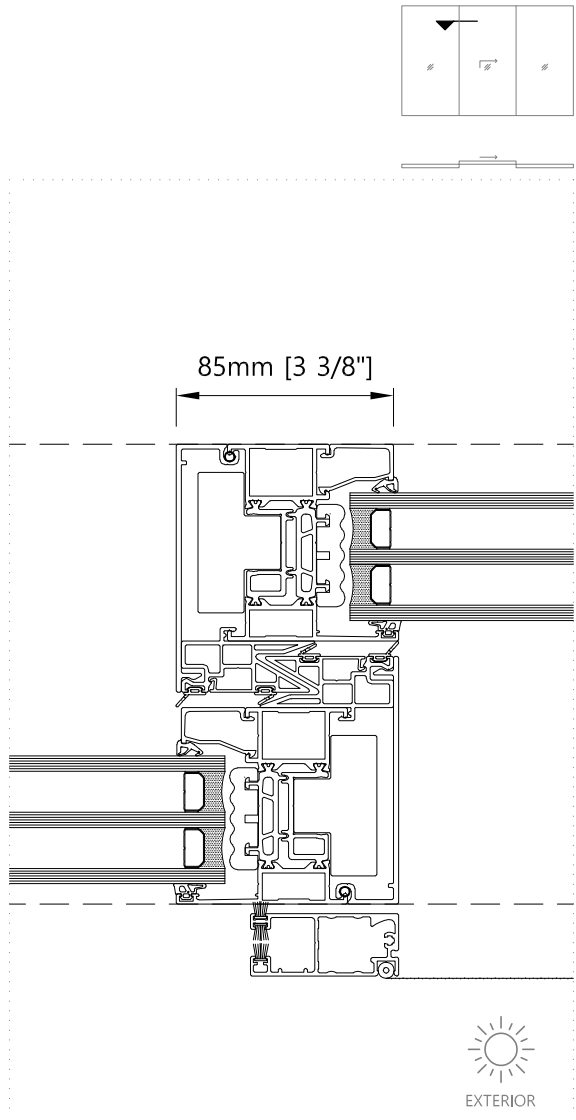
5 Jamb - Horizontal
Lift & Slide Door without Fly Screen



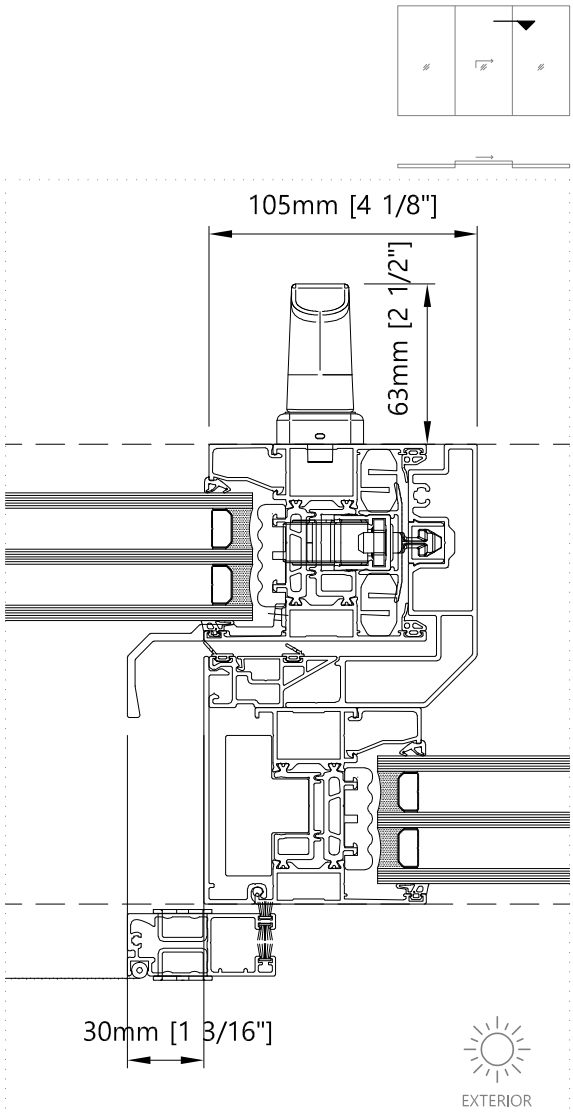
6 Meeting section - Horizontal
Lift & Slide Door without Fly Screen



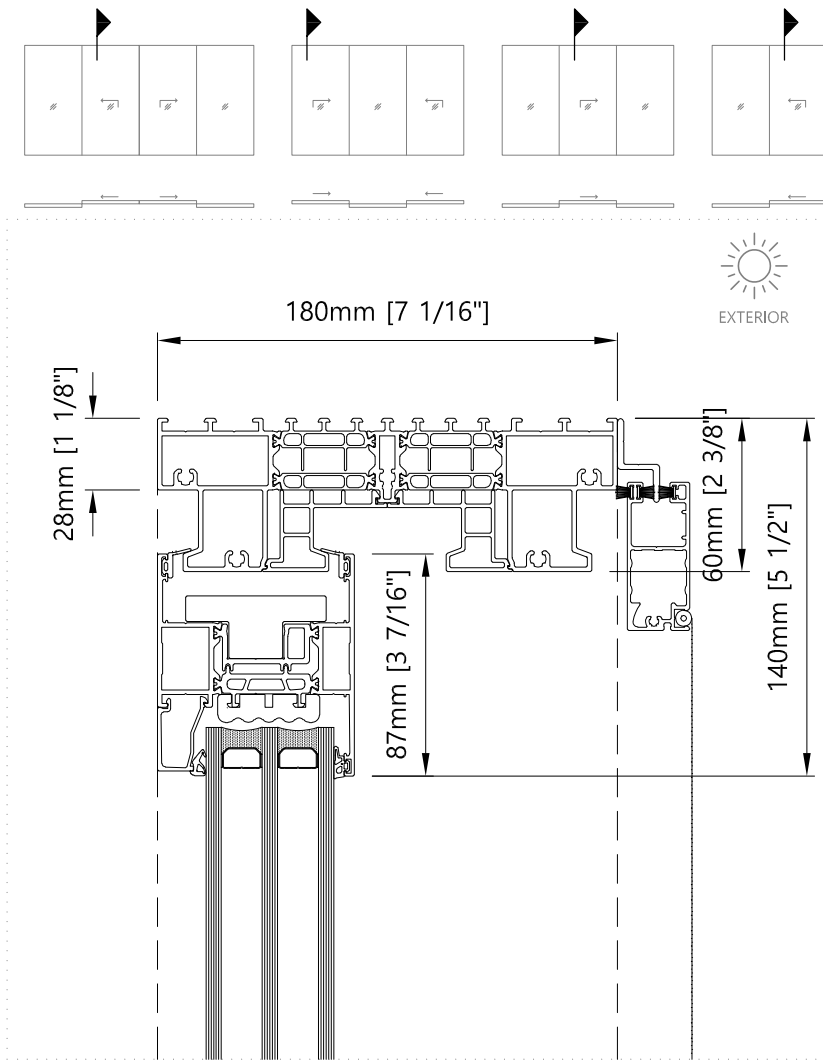
7 Meeting section - Horizontal
Lift & Slide Door without Fly Screen



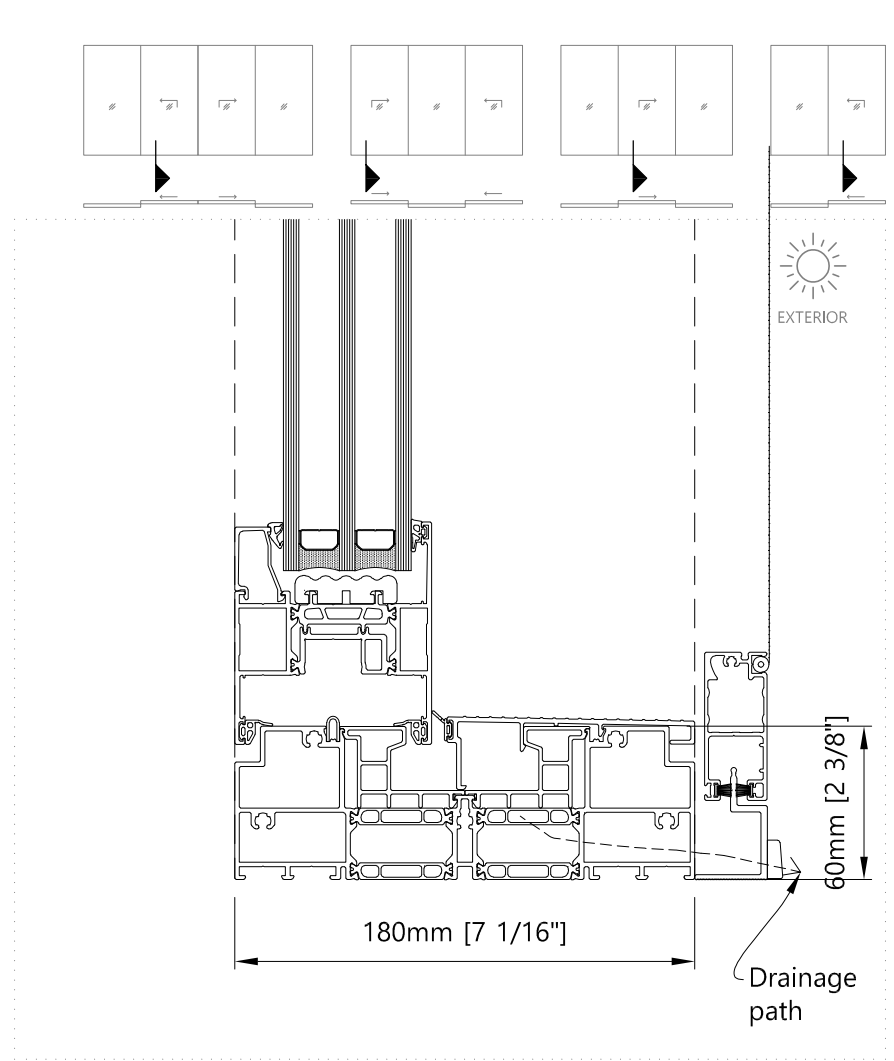
8 Meeting section - Horizontal
Lift & Slide Door without Fly Screen



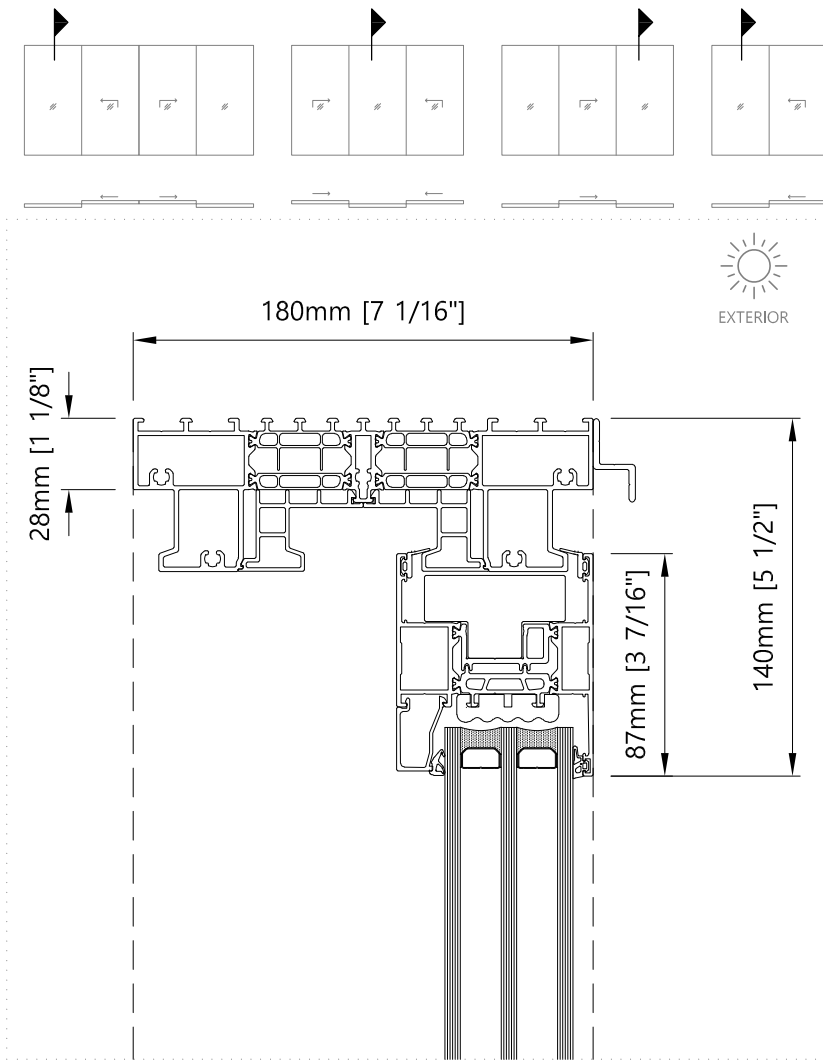
9 Meeting section - Horizontal
Lift & Slide Door without Fly Screen



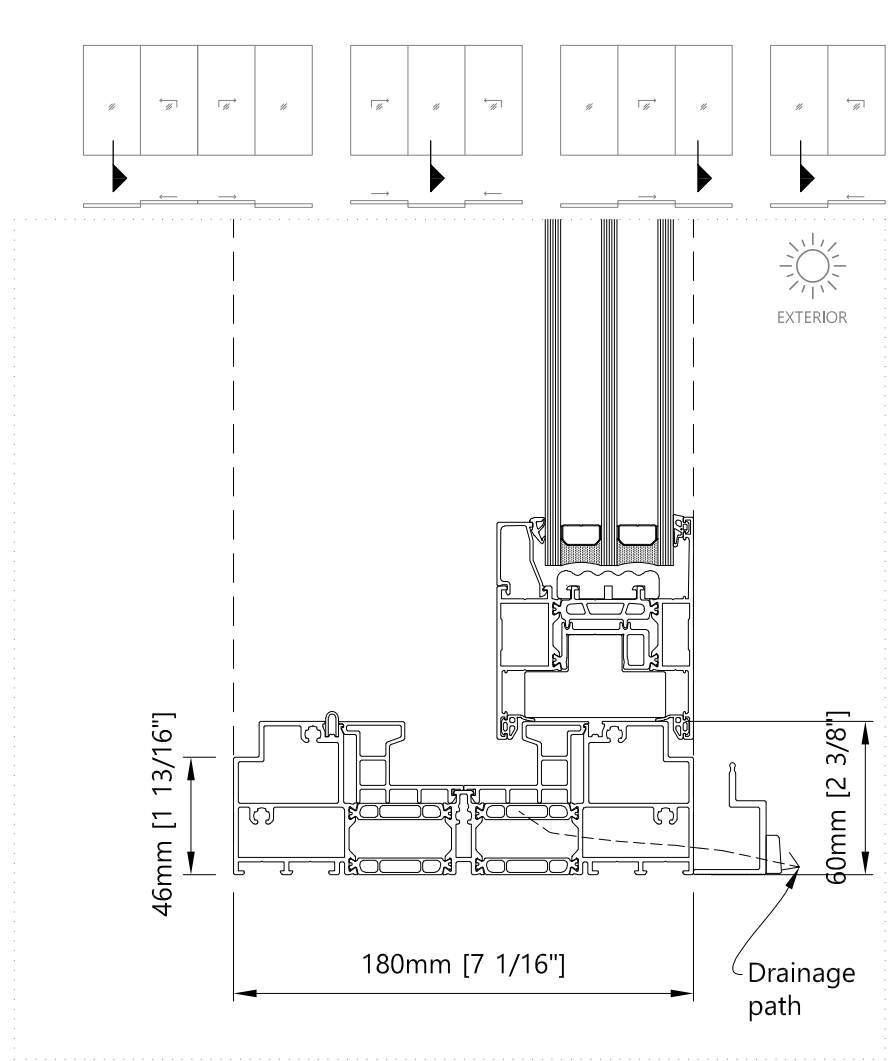
10 Top - Vertical
Lift & Slide Door without Fly Screen



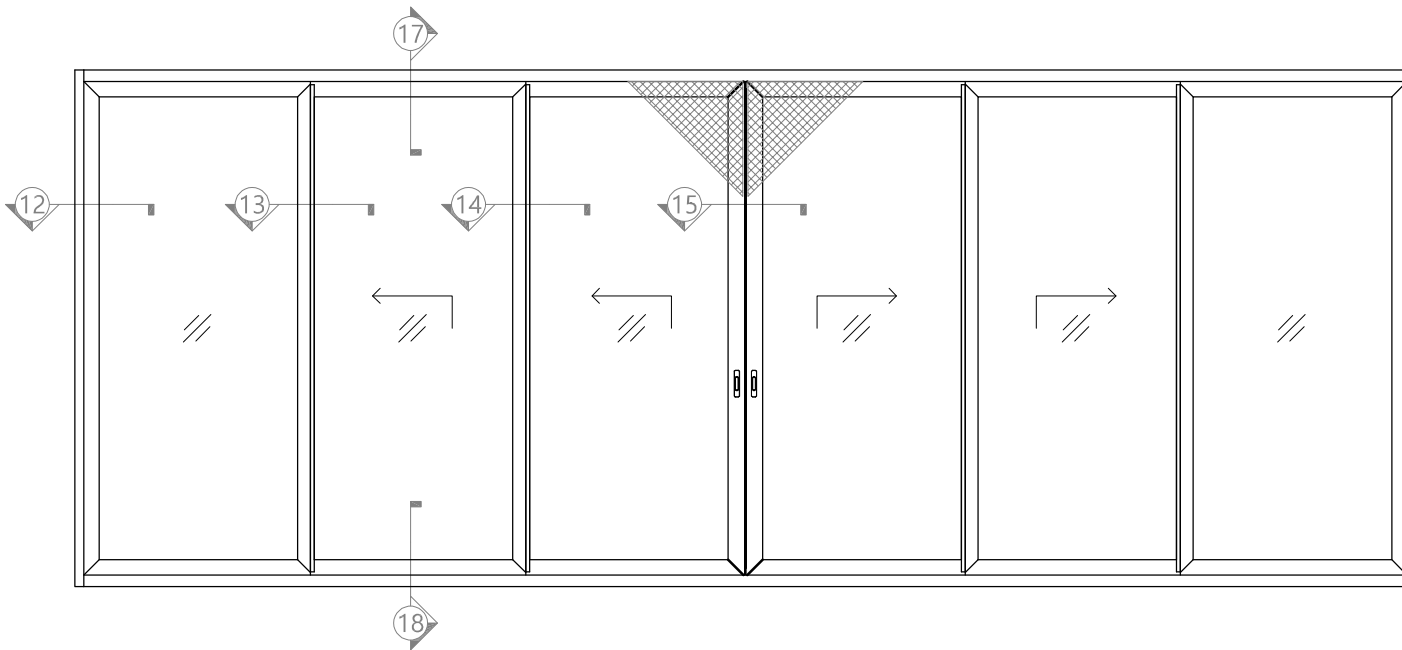
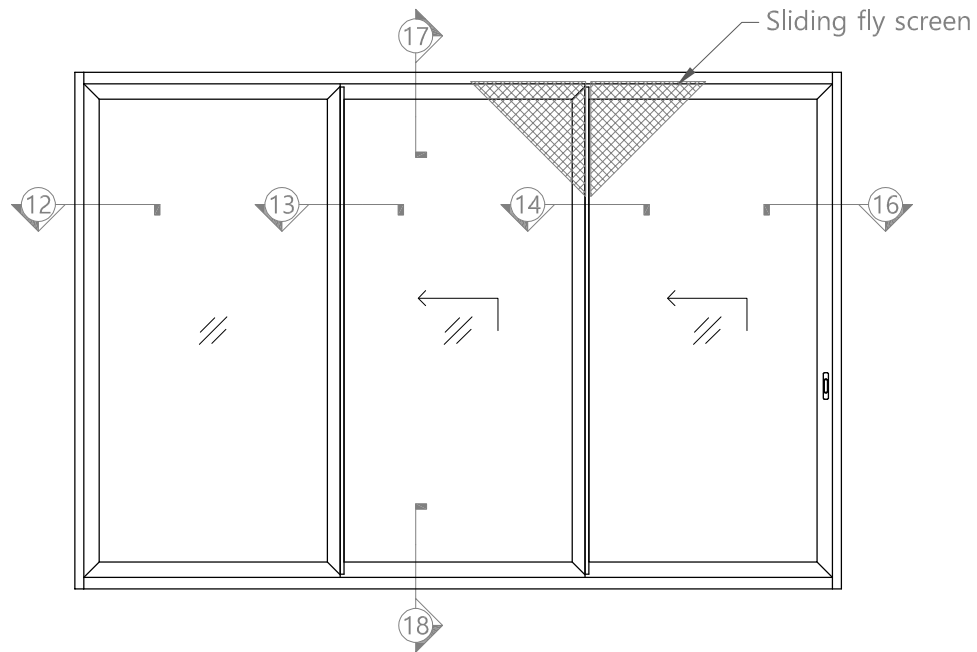
11 Bottom - Vertical
Lift & Slide Door without Fly Screen



12 Top - Vertical
Lift & Slide Door without Fly Screen



13 Bottom - Vertical
Lift & Slide Door without Fly Screen



MasterPatio Lift & Slide Door (3-track) with Fly Screen

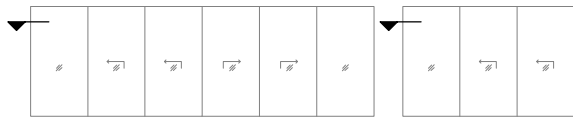
Elevation - Exterior View

W2.2

2024_V1

1677 Aimco Blvd., Unit A,
Mississauga, ON., L4W 1H7
905-602-5887
www.bigfootdoor.com

bigfoot | door



33mm [1 5/16"]

283mm [11 1/8"]

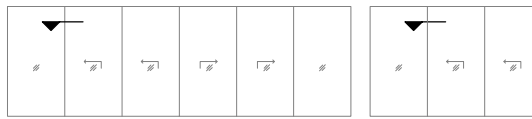
127mm [5"]



EXTERIOR

12

Jamb - Horizontal
Lift & Slide Door without Fly Screen



63mm [2 1/2"]

87mm [3 7/16"]



EXTERIOR

13

Meeting section - Horizontal
Lift & Slide Door without Fly Screen



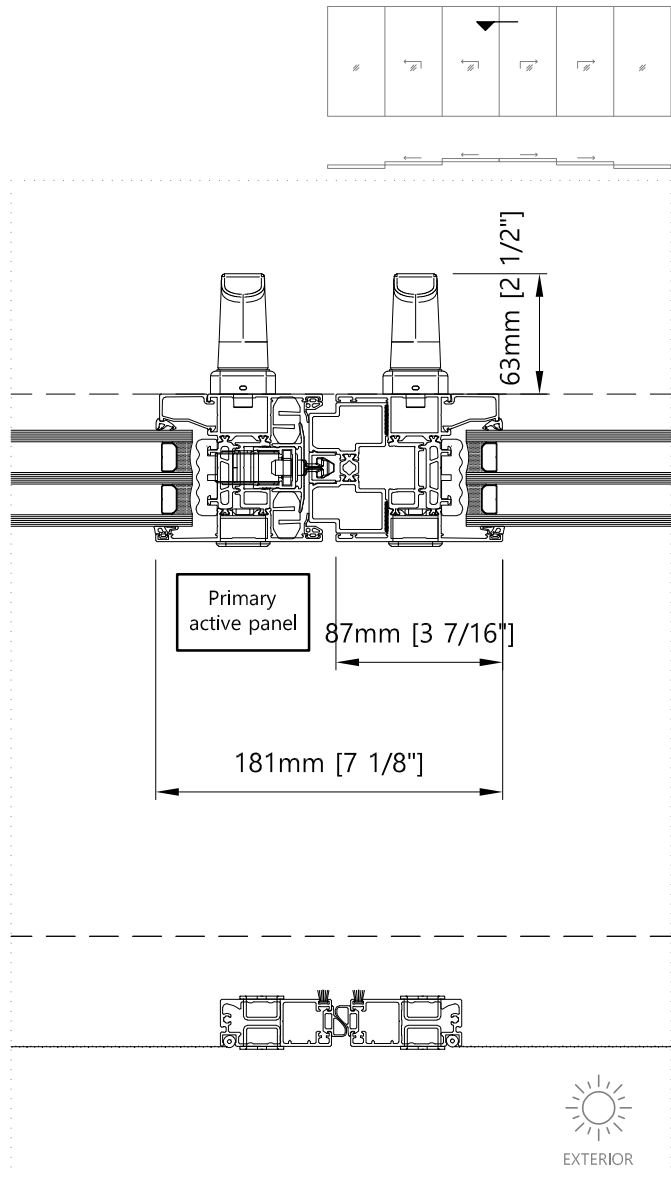
85mm [3 3/8"]



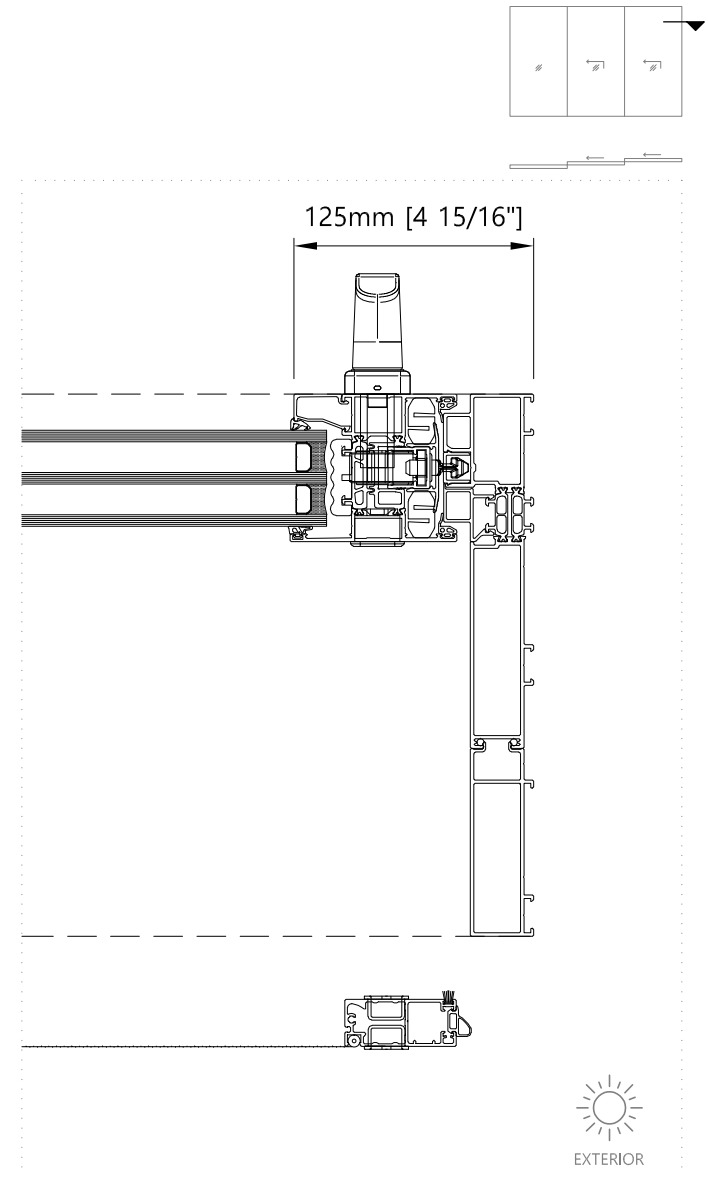
EXTERIOR

14

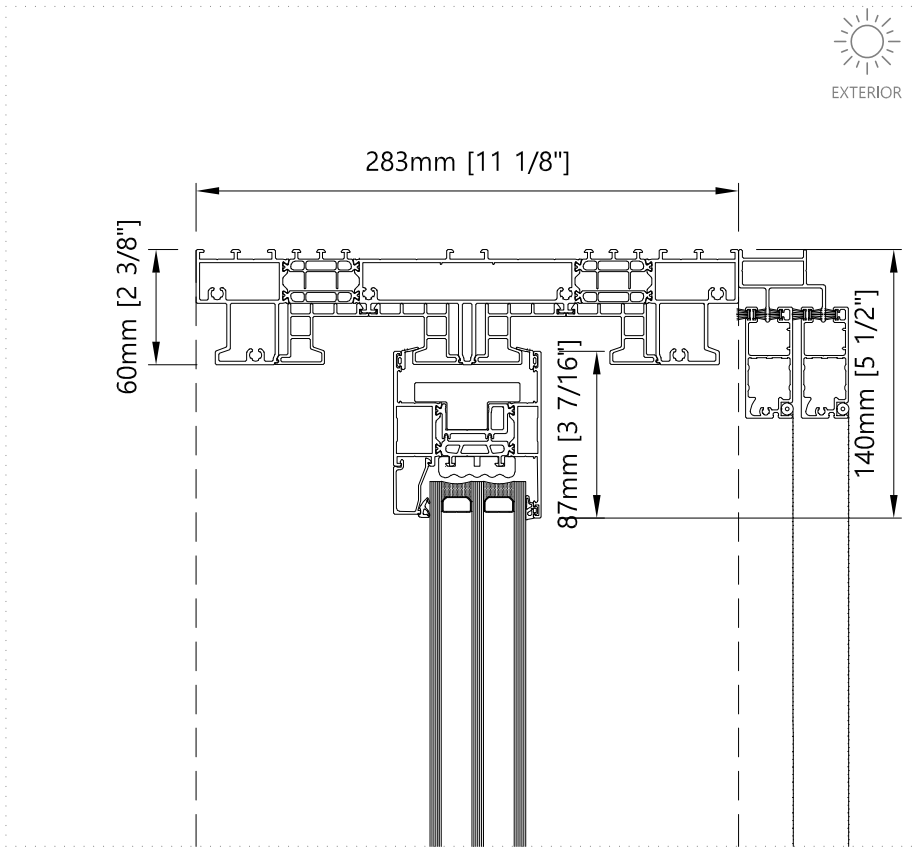
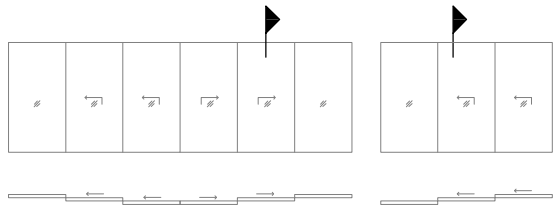
Meeting section - Horizontal
Lift & Slide Door without Fly Screen



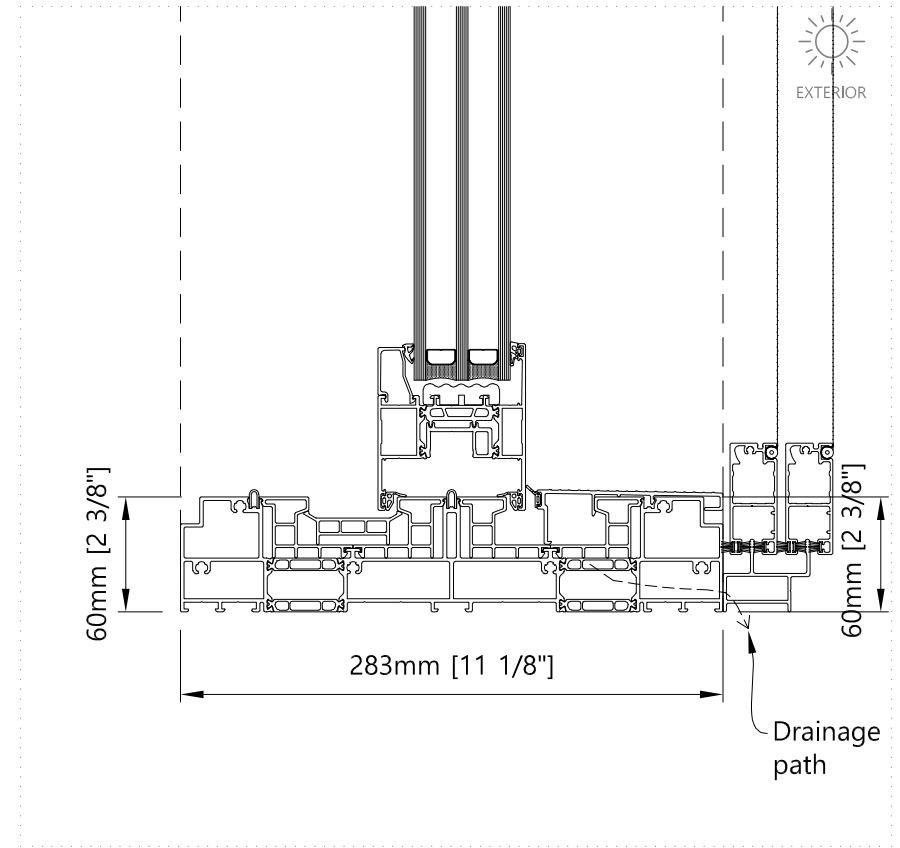
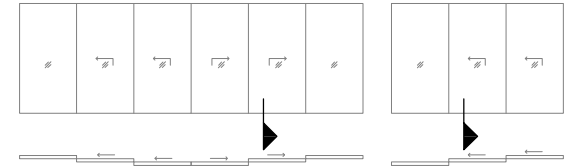
15 Meeting section - Horizontal
Bi-parting Lift & Slide Door without Fly Screen



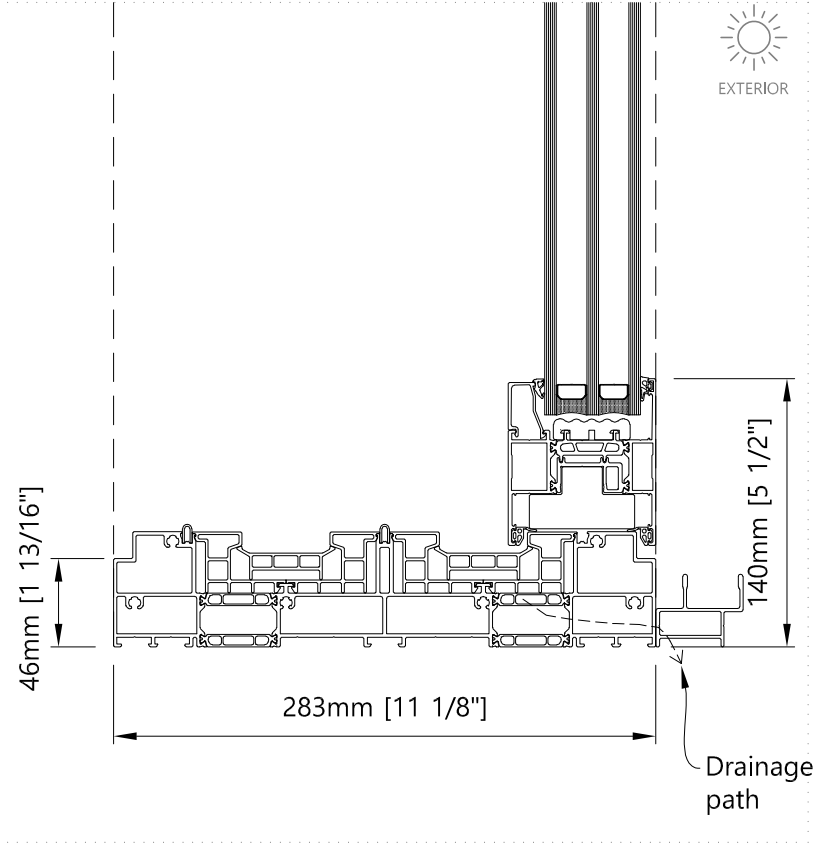
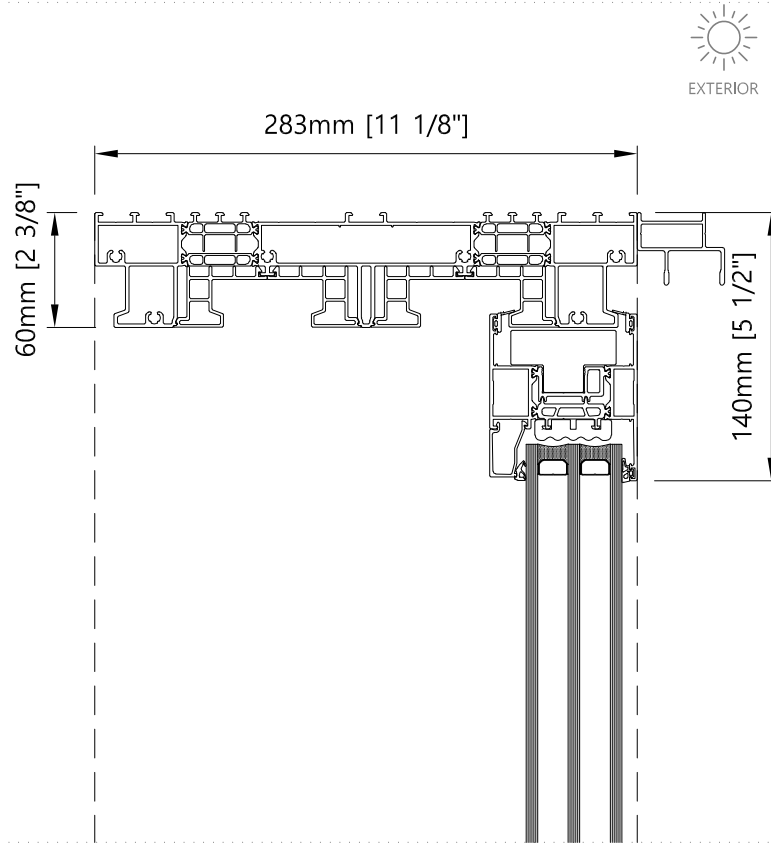
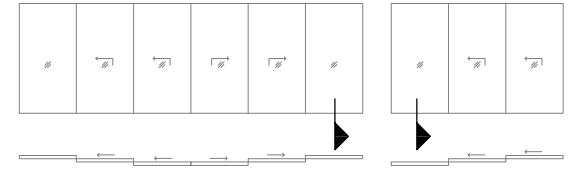
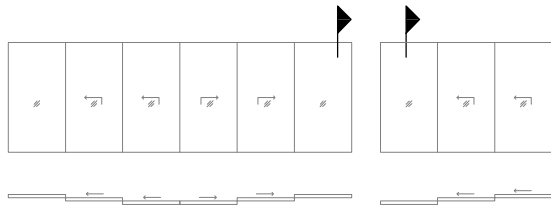
16 Jamb - Horizontal
Lift & Slide Door without Fly Screen



17 Top - Vertical
Lift & Slide Door without Fly Screen



18 Bottom - Vertical
Lift & Slide Door without Fly Screen



17 Top - Vertical
Lift & Slide Door without Fly Screen

18 Bottom - Vertical
Lift & Slide Door without Fly Screen